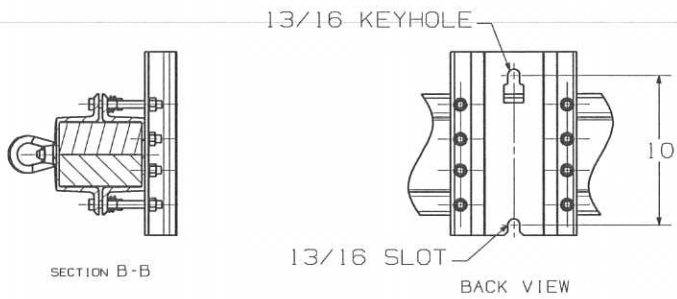
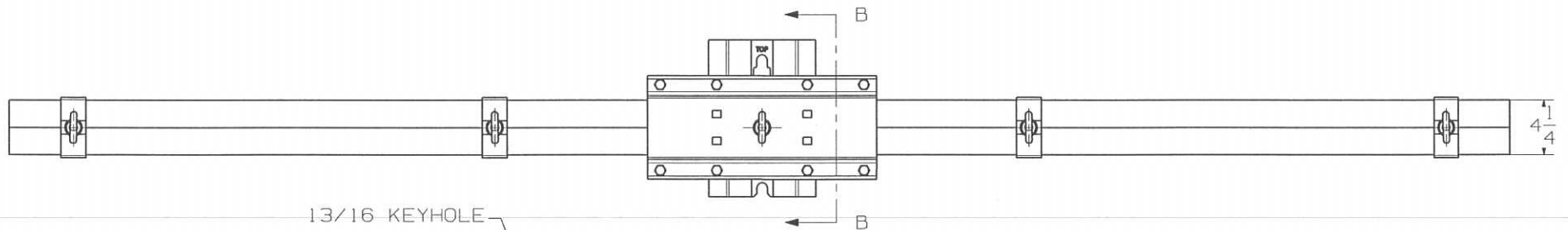
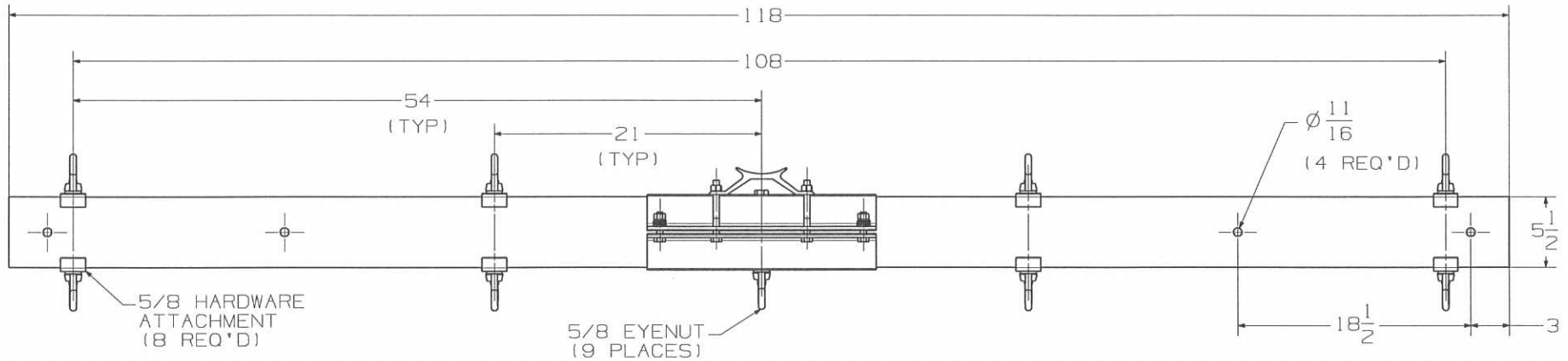


-NOTES-

1. MATERIAL: APITONG WOOD WITH 6061-T6 ALUMINUM FITTINGS.
2. APITONG WOOD IS TREATED WITH COPPER NAPHTHENATE PER AWPA P8 (LATEST REVISION).



CATALOG NO.  
CHD-DEA-4-108-EB-REA

LATEST EC. NO.	REV.	DATE	CHANGED BY	RESP. ENGINEER
DRN BY: WILSON		DATE: 01/07/11	TITLE: 10 FT. DEAD END ASS'Y	
		SACHD-DEA-4-108-EB-REA		

ALL DIMENSIONS AND TOLERANCES ARE CONFIDENTIAL AND THE EXCLUSIVE PROPERTY OF MURPHY & WILSON, A DIVISION OF CHANCE COMPANY. NO REPRODUCTION, DISTRIBUTION, OR DISSEMINATION OF THIS DRAWING IS PERMITTED WITHOUT THE WRITTEN PERMISSION OF MURPHY & WILSON, A DIVISION OF CHANCE COMPANY. ALL RIGHTS RESERVED UNDER THE COPYRIGHT LAWS OF 2001. MURPHY & WILSON, A DIVISION OF CHANCE COMPANY.