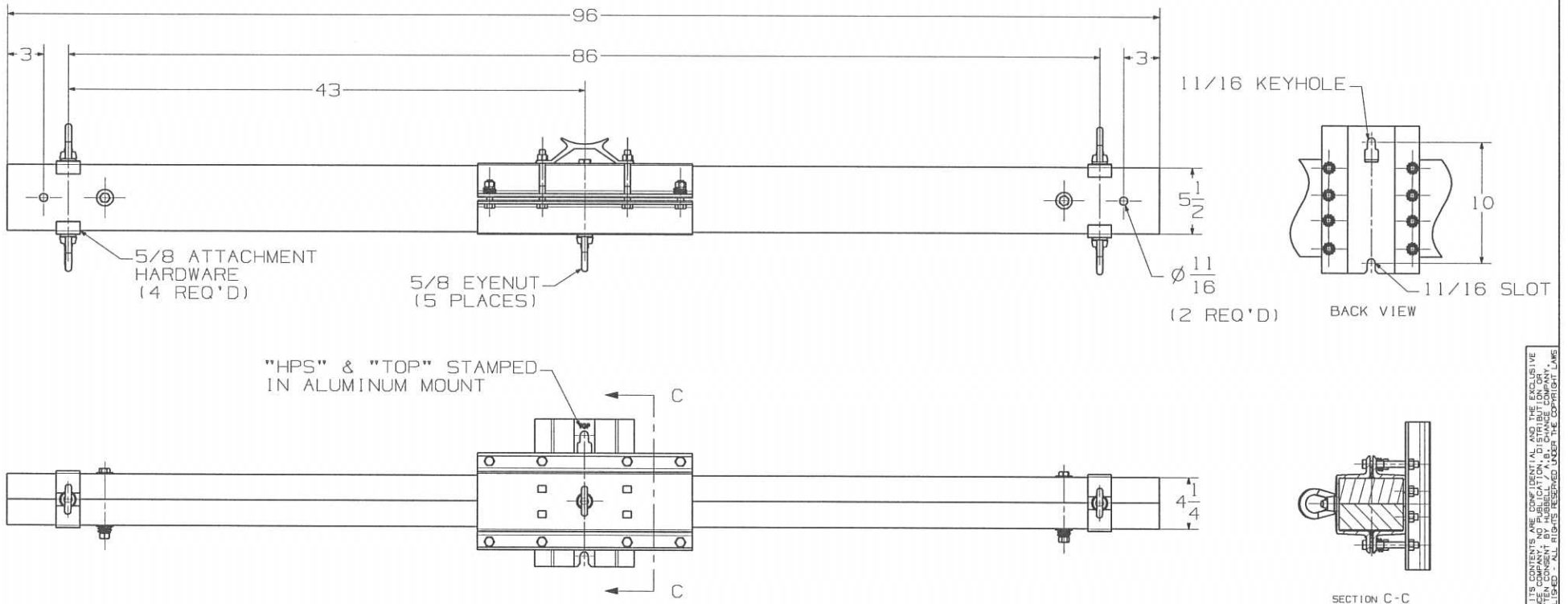


-NOTES-

1. MATERIAL: APITONG WOOD WITH 6061-T6 ALUMINUM FITTINGS.
2. APITONG WOOD IS TREATED WITH COPPER NAPHTHENATE PER AWPA P8 (LATEST REVISION).



CATALOG NO.
CHDDEA86EBREA

LATEST E.C. NO.	REV.	DATE	CHANGED BY	RESP. ENGINEER
	A			
<small>NO SCALE</small> <small>THIS DRAWING IS TO BE MADE WITH CAD SOFTWARE</small>		<small>THIRD ANGLE PROJECTION</small> <small>150 EQUAL DIMENSIONS</small> <small>(IN-INCH, MM-MILLIMETER)</small>		
DRN. BY:	DATE:	TITLE:	REV.	
WILSON	01/27/11	8 FT DEAD END ASS'Y	0	
<small>DESIGNER</small>		<small>DRG. NO.</small> SACHDDEA86EBREA		

CONFIDENTIAL: THIS DRAWING AND ITS CONTENTS ARE CONFIDENTIAL AND THE EXCLUSIVE PROPERTY OF CHANCE. NO PART OF THIS DRAWING OR ITS CONTENTS MAY BE REPRODUCED OR TRANSMITTED IN ANY FORM OR BY ANY MEANS, ELECTRONIC OR MECHANICAL, WITHOUT THE WRITTEN CONSENT OF CHANCE COMPANY. ALL RIGHTS RESERVED UNDER THE COPYRIGHT LAWS OF THE UNITED STATES OF AMERICA.