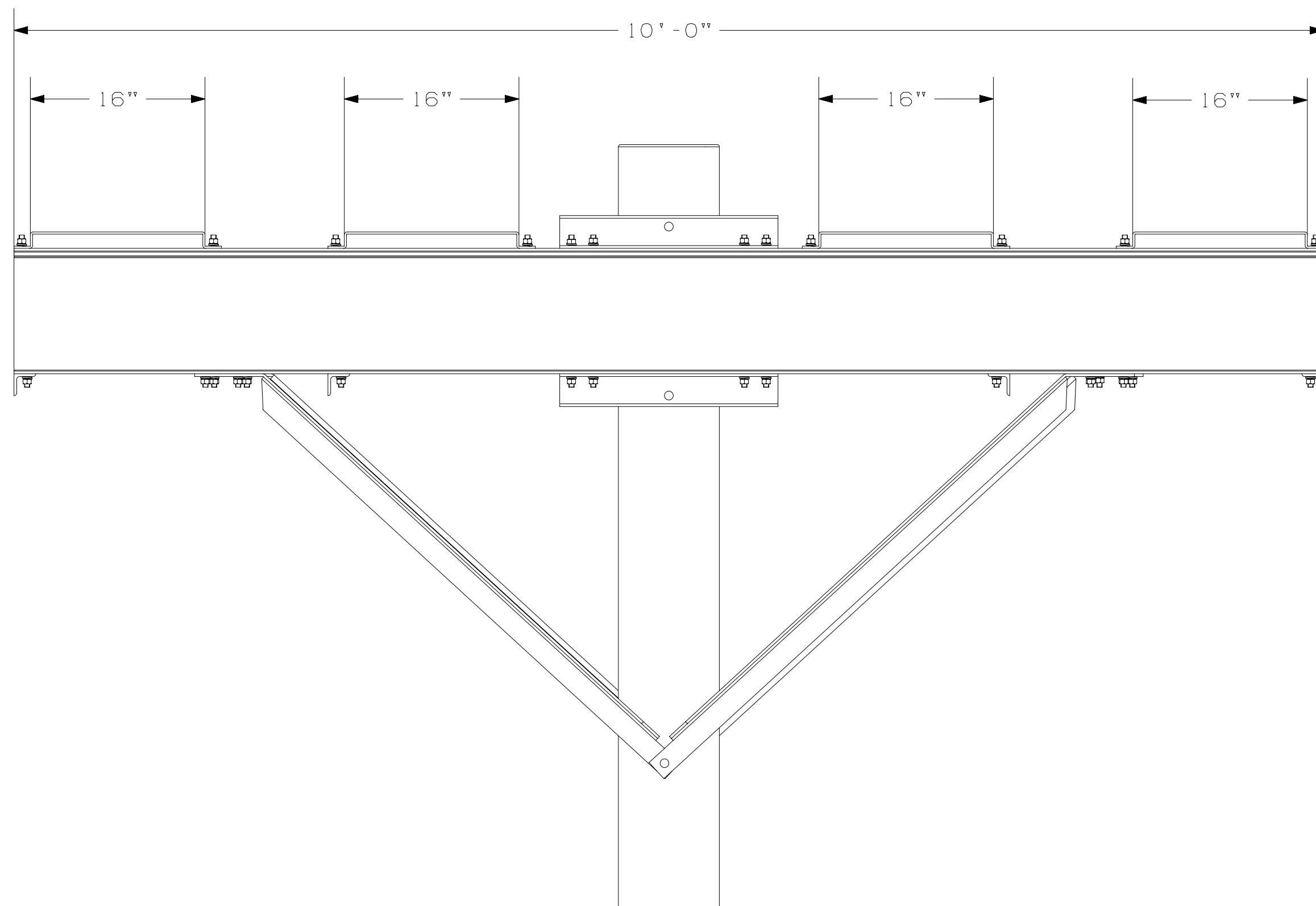
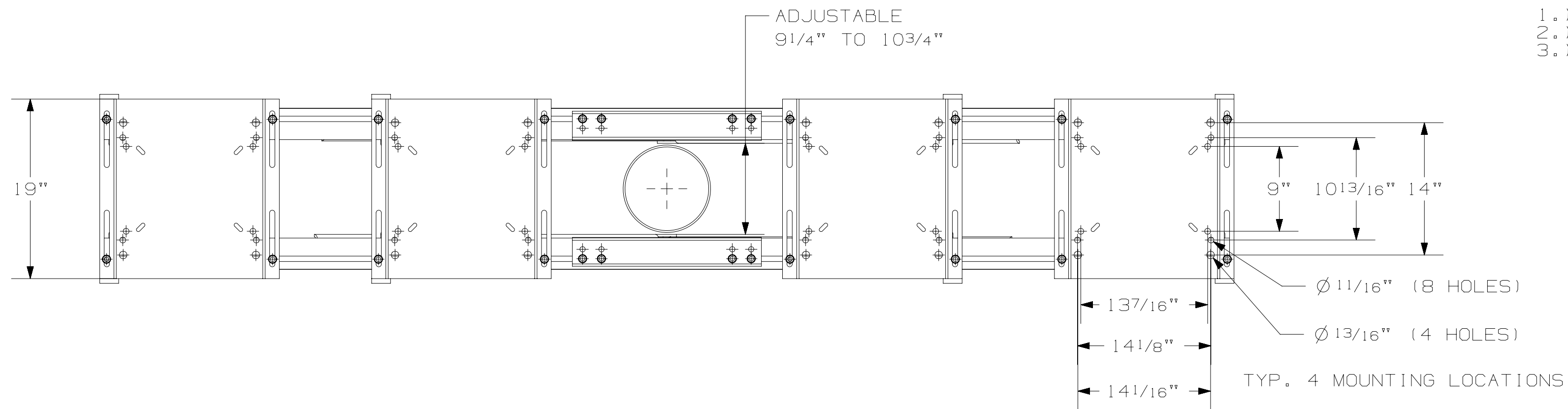


NOTES :

- 1.) MATERIAL: ALUMINUM
- 2.) NOT ASSEMBLED AS SHOWN.
- 3.) ALL POLE MOUNTING LOCATIONS ACCOMMODATE 3/4" BOLTS (NOT INCLUDED).



CATALOG NUMBER : CHDPMM4

LATEST EC NO:		REV.	DATE	CHANGED BY	RESP ENGINEER
-----		-	-----	-----	-----
DO NOT SCALE THIS DWG				THIRD ANGLE PROJECTION	
				ISO DUAL DIMENSIONS IN=INCH, MM=MILLIMETER	
DRN BY:	DATE	TITLE:			SIZE
JUL	11-28-11	HEAVY DUTY PRIMARY METERING MOUNT (2 POSITION)			C
DWG NO:				SACHD-PMM-4	

CONFIDENTIAL: THIS DRAWING AND ITS CONTENTS ARE CONFIDENTIAL AND THE EXCLUSIVE PROPERTY OF HUBBELL / A.B. CHANCE COMPANY. NO PUBLICATION, DISTRIBUTION OR COPIES MAY BE MADE WITHOUT WRITTEN CONSENT BY HUBBELL / A.B. CHANCE COMPANY. © 2001 HUBBELL/A.B. CHANCE. UNPUBLISHED - ALL RIGHTS RESERVED UNDER THE COPYRIGHT LAWS