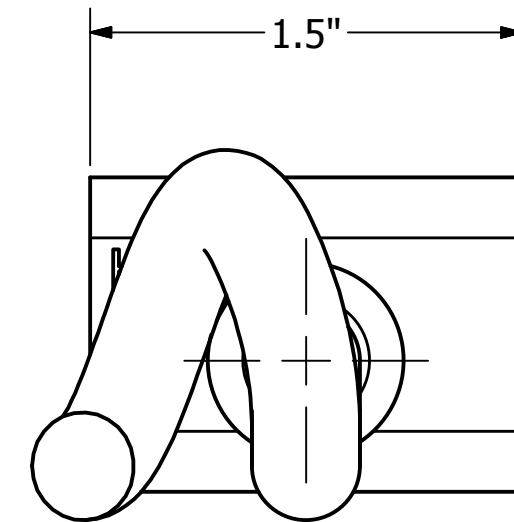
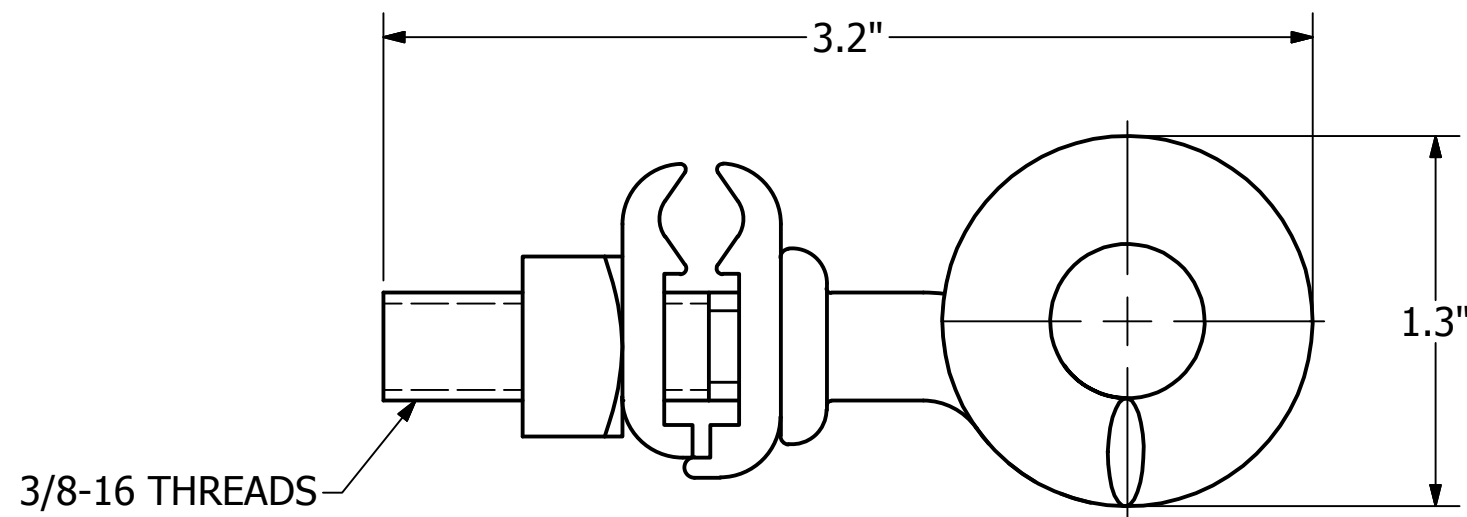
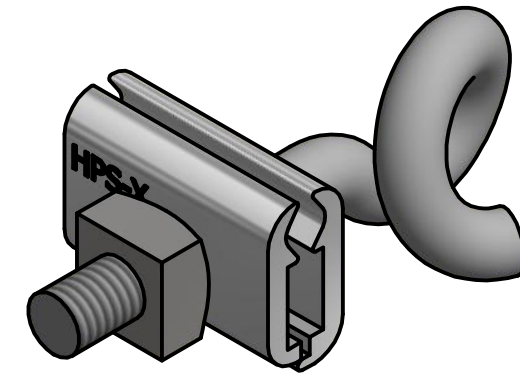



-NOTES-

1. PROVIDES DROP WIRE CLAMP ATTACHMENTS AT MID-SPAN.
2. ACCEPTS STRAND SIZE RANGE OF 1/4"-3/8".
3. CLAMP PLATES, ALUMINUM.
4. THREADS STAKED TO PREVENT LOSS OF NUT.



CATALOG NO: COSC

<p>CHANCE®</p> <p><small>CONFIDENTIAL: THIS DRAWING AND ITS CONTENTS ARE CONFIDENTIAL AND THE EXCLUSIVE PROPERTY OF HUBBELL POWER SYSTEMS. NO PUBLICATION, DISTRIBUTION, OR COPIES MAY BE MADE WITHOUT THE WRITTEN CONSENT OF HUBBELL POWER SYSTEMS. HUBBELL POWER SYSTEMS UNPUBLISHED ALL RIGHTS RESERVED UNDER THE COPYRIGHT LAWS.</small></p>	 <p>HUBBELL POWER SYSTEMS, INC.</p>		
	<p>TITLE</p> <p>CLAMP, "O" SPAN</p>		
	<p>SIZE</p> <p>B</p>	<p>CAT / PART / ASSY NO.</p> <p>COSC</p>	<p>DWG NO.</p> <p>SACOSC</p>
	<p>DO NOT SCALE THIS DRAWING</p>	<p>DRN BY JMT</p>	<p>DATE 1/17/19</p>
		<p>REV</p> <p>A</p>	<p>SHEET 1 OF 1</p>