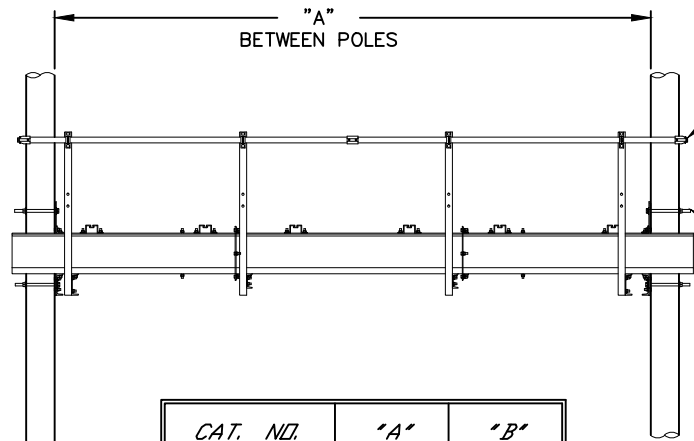
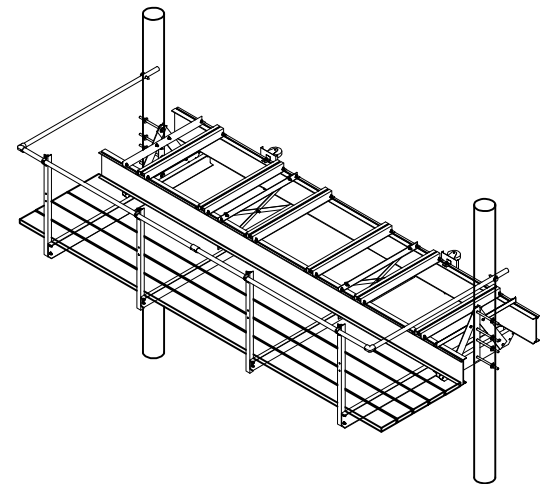


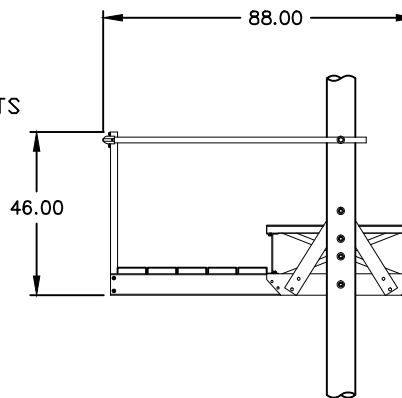
ADJUSTABLE
MOUNTING SURFACE

WALKWAY PLANKS
NOT INCLUDED



3/4" WALKWAY MOUNTING BOLTS
(SOLD SEPARATELY)
2 TOTAL 1 PER SIDE

3/4" MOUNTING BOLTS
(SOLD SEPARATELY)
8 TOTAL 4 PER SIDE



CAT. NO.	"A"	"B"
CP122WKY	12'	14'
CP142WKY	14'	16'
CP162WKY	16'	18'

=NOTES=

1. MATERIAL: 6061-T6 ALUMINUM.
GALVANIZED STEEL HARDWARE

CHANCE
TOLERANCE CHART



HUBBELL POWER SYSTEMS
POWER SYSTEMS, INC.

TITLE
PLATFORM,
ALUMINUM

CONFIDENTIAL: THIS DRAWING AND ITS
CONTENTS ARE CONFIDENTIAL AND THE
EXCLUSIVE PROPERTY OF HUBBELL
POWER SYSTEMS. NO PUBLICATION,
DISTRIBUTION OR COPIES MAY BE MADE
WITHOUT THE WRITTEN CONSENT OF
HUBBELL POWER SYSTEMS.
HUBBELL POWER SYSTEMS UNPUBLISHED
ALL RIGHTS RESERVED UNDER THE
COPYRIGHT LAWS.

SIZE	DWG NO.	CAT / PART / ASSY NO.	REV
SB	SACP142WKY	SEE CHART	--
DO NOT SCALE THIS DRAWING	DRN BY BERGER	DATE 1/31/13	SHEET 1 OF 1