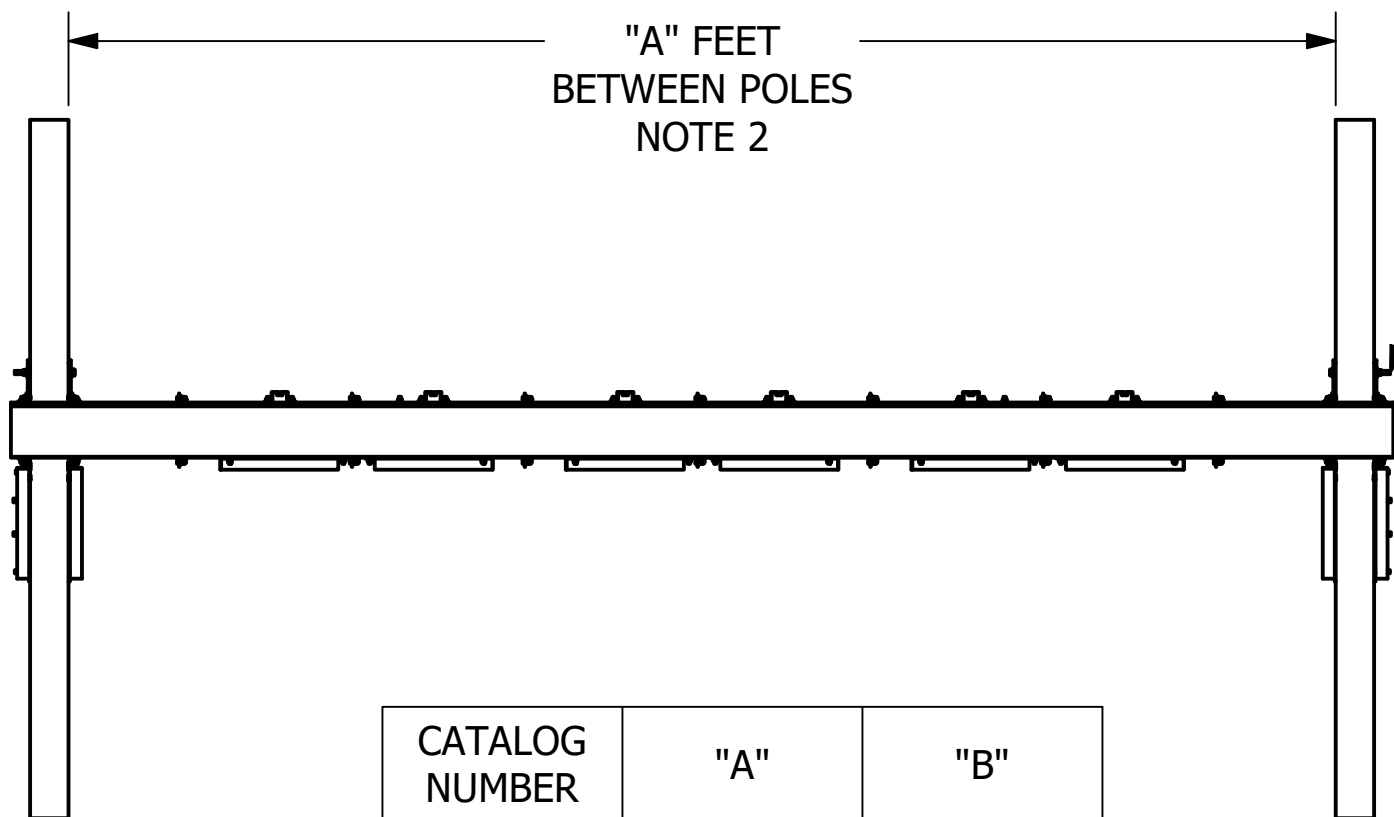
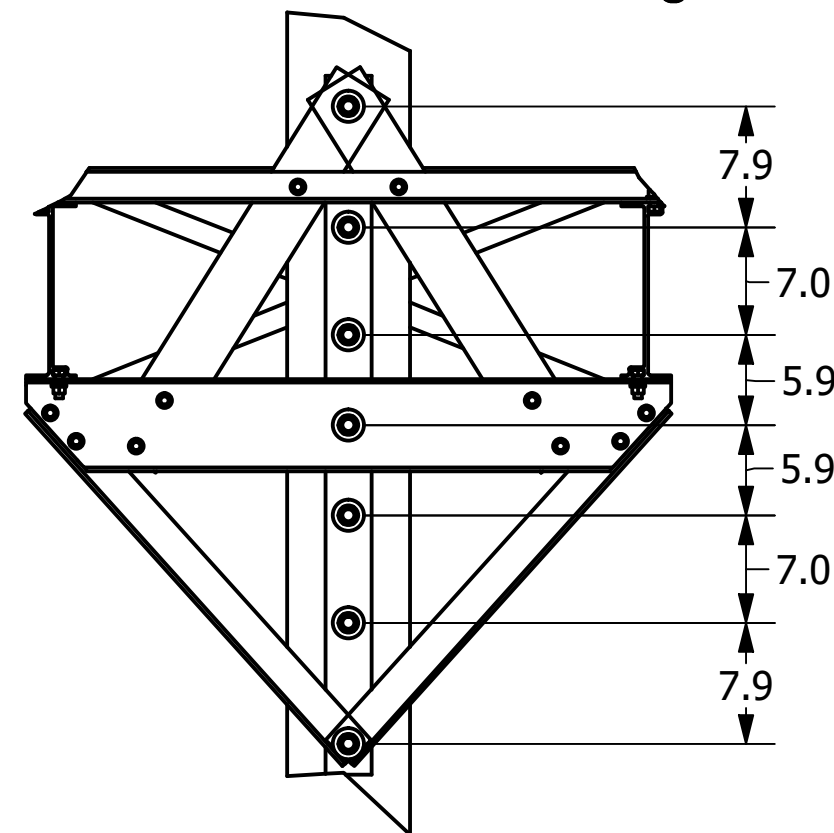
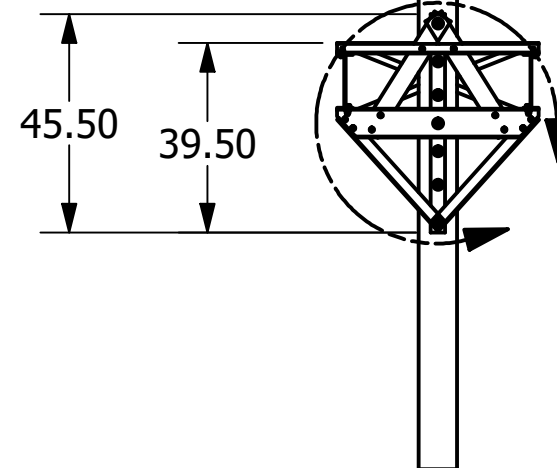


ADJUSTABLE MOUNTING SURFACE

"A" FEET
BETWEEN POLES
NOTE 2



3/4" MOUNTING BOLTS
(PURCHASED SEPARATELY,
7 PER SIDE, 14 TOTAL)



NOTES

1. MATERIAL: 6061-T6 ALUMINUM
2. "A" DIMENSION BASED ON 12" DIA. POLES.

SHEAR PLATE DETAIL
(4 PROVIDED)

CATALOG NUMBER	"A"	"B"
CPEHD82	7	10
CPEHD104	9	12
CPEHD122	11	14
CPEHD142	13	16
CPEHD162	15	18
CPEHD182	17	20
CPEHD202	19	22
CPEHD222	21	24

CHANCE®



HUBBELL POWER SYSTEMS, INC.

CONFIDENTIAL: THIS DRAWING AND ITS CONTENTS ARE CONFIDENTIAL AND THE EXCLUSIVE PROPERTY OF HUBBELL POWER SYSTEMS. NO PUBLICATION, DISTRIBUTION, OR COPIES MAY BE MADE WITHOUT THE WRITTEN CONSENT OF HUBBELL POWER SYSTEMS. HUBBELL POWER SYSTEMS UNPUBLISHED ALL RIGHTS RESERVED UNDER THE COPYRIGHT LAWS.

TITLE PLATFORM, ALUMINUM			
SIZE B	CAT / PART / ASSY NO. SEE CHART	DWG NO. SACPEHD182	REV E
DO NOT SCALE THIS DRAWING	DRN BY KARDON	DATE 3/22/22	SHEET 1 OF 1