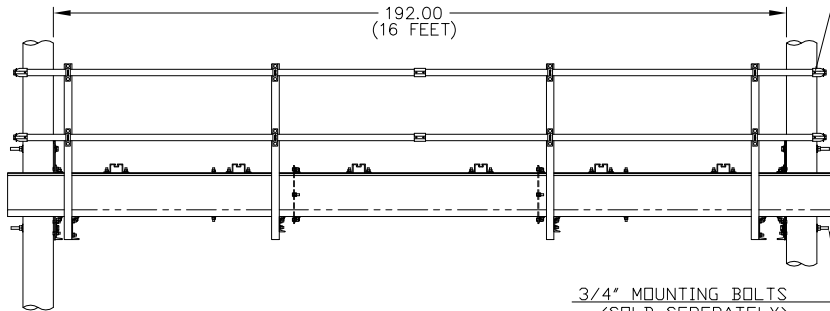
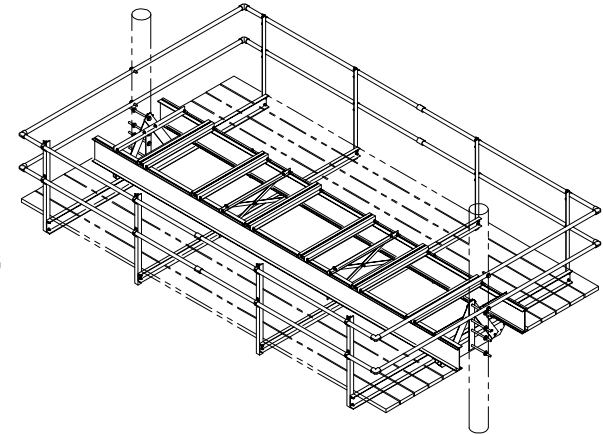


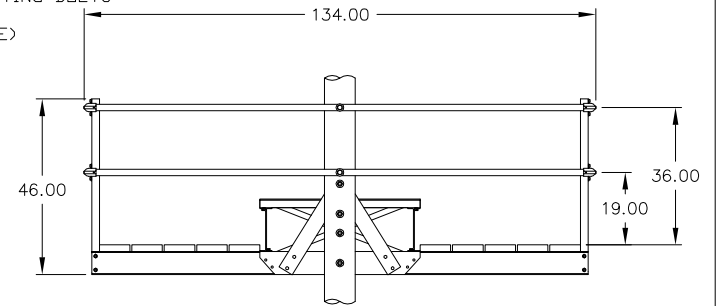
ADJUSTABLE MOUNTING SURFACE

WALKWAY PLANKS NOT INCLUDED



3/4" WALKWAY MOUNTING BOLTS  
(SOLD SEPERATELY)  
2 TOTAL (1 PER SIDE)

3/4" MOUNTING BOLTS  
(SOLD SEPERATELY)  
8 TOTAL (4 PER SIDE)



— NOTES —

- MATERIAL: 6061-T6 ALUMINUM WITH GALVANIZED STEEL HARDWARE

CATALOG NUMBER:  
CPHD1622WKYOR

CHANCE  
TOLERANCE CHART



HUBBELL® POWER SYSTEMS

CONFIDENTIAL: THIS DRAWING AND ITS CONTENTS ARE CONFIDENTIAL AND THE EXCLUSIVE PROPERTY OF HUBBELL POWER SYSTEMS. NO PUBLICATION, DISTRIBUTION OR COPIES MAY BE MADE WITHOUT THE WRITTEN CONSENT OF HUBBELL POWER SYSTEMS. HUBBELL POWER SYSTEMS UNPUBLISHED ALL RIGHTS RESERVED UNDER THE COPYRIGHT LAWS.

TITLE		PLATFORM ALUMINUM		REV
SIZE	DWG NO.	CAT / PART / ASSY NO.		REV
SB	SACPHD1622WKYOR	CPHD1622WKYOR		A
DO NOT SCALE THIS DRAWING	DRN BY HINKLE	DATE 10/23/17	SHEET 1 OF 1	