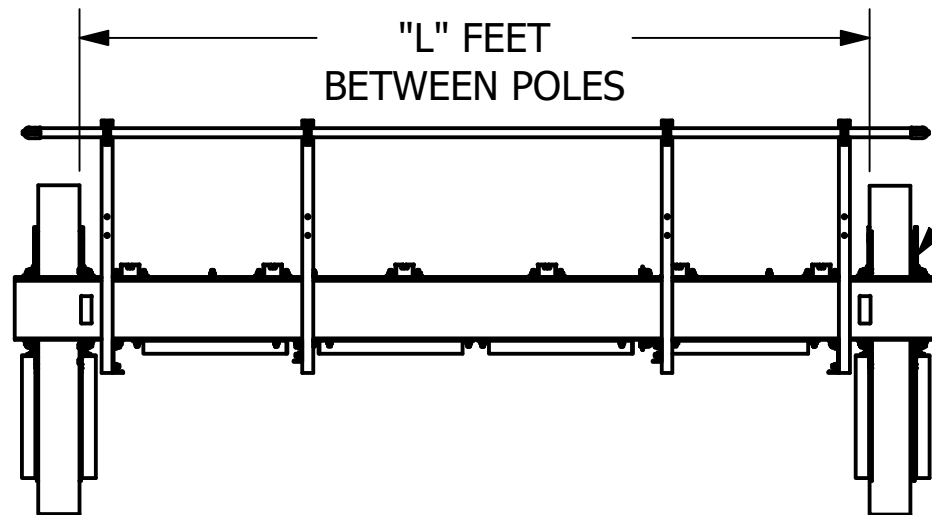
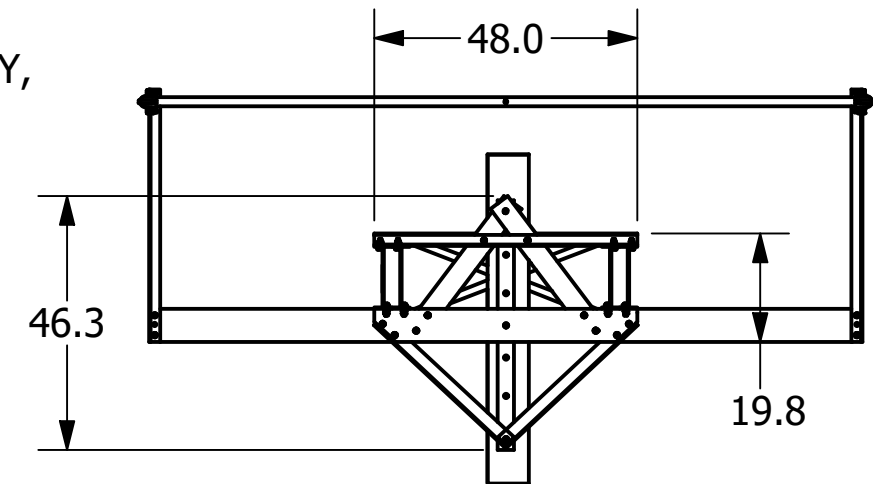


- NOTES -
1. MATERIAL: 6061-T6 ALUMINUM WITH GALVANIZED STEEL HARDWARE



3/4" MOUNTING BOLTS  
(PURCHASED SEPARATELY,  
7 PER SIDE, 14 TOTAL)



| CATALOG NUMBER  | DESCRIPTION | "L" |
|-----------------|-------------|-----|
| CPSEHD122WKYOR  | 1 CATWALK   | 12  |
| CPSEHD1222WKYOR | 2 CATWALKS  | 12  |
| CPSEHD162WKYOR  | 1 CATWALK   | 16  |
| CPSEHD1622WKYOR | 2 CATWALKS  | 16  |
| CPSEHD142WKYOR  | 1 CATWALK   | 14  |

|   |   |   |                                    |                 |
|---|---|---|------------------------------------|-----------------|
| <b>CHANCE</b> <sup>®</sup>  | <b>HUBBELL</b> <sup>®</sup> POWER SYSTEMS, INC. | <b>HUBBELL POWER SYSTEMS, INC.</b>        |                                    |                 |
|   | <b>PLATFORM, SUPER EXTRA HEAVY DUTY</b>         |   |                                    |                 |
| CONFIDENTIAL: THIS DRAWING AND ITS CONTENTS ARE CONFIDENTIAL AND THE EXCLUSIVE PROPERTY OF HUBBELL POWER SYSTEMS. NO PUBLICATION, DISTRIBUTION, OR COPIES MAY BE MADE WITHOUT THE WRITTEN CONSENT OF HUBBELL POWER SYSTEMS. HUBBELL POWER SYSTEMS UNPUBLISHED ALL RIGHTS RESERVED UNDER THE COPYRIGHT LAWS. | SIZE<br><b>B</b>                                | CAT / PART / ASSY NO.<br><b>SEE CHART</b> | DWG NO.<br><b>SACPSEHD122WKYOR</b> | REV<br><b>B</b> |
| DO NOT SCALE THIS DRAWING   | DRN BY <b>KARDON</b>                            | DATE <b>8/15/22</b>                       | SHEET 1 OF 1                       |                 |