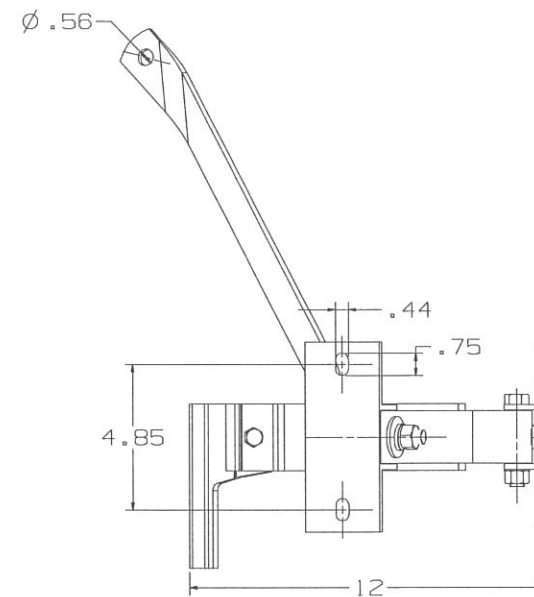


- NOTES-
1. MATERIAL: ALUMINUM 6061-T6
 2. SIX 3/8 X 1-3/8 CARRIAGE BOLTS WITH HEX NUTS AND LOCK WASHERS ARE INCLUDED



CATALOG NUMBER : CR3CA-2C

LATEST EC. NO.	REV.	DATE	CHANGED BY	RESP. ENGINEER
DRN. BY: BERGER DATE: 10-08-13 TITLE: 3 PHASE CURVED EQUIPMENT MOUNT				THIRD ANGLE PROJECTION ISO DIM. DIMENSIONS IN-INCH, MM-MILLIMETER
				ENG. NO.: SACR3CA-2C

CONFIDENTIAL: THIS DRAWING AND ITS CONTENTS ARE CONFIDENTIAL AND THE EXCLUSIVE PROPERTY OF HUBBELL POWER SYSTEMS, INC. COPIES MAY BE MADE WITHOUT WRITTEN CONSENT BY HUBBELL POWER SYSTEMS, INC. COPYRIGHT HUBBELL POWER SYSTEMS, UNPUBLISHED. ALL RIGHTS RESERVED UNDER THE COPYRIGHT LAWS.