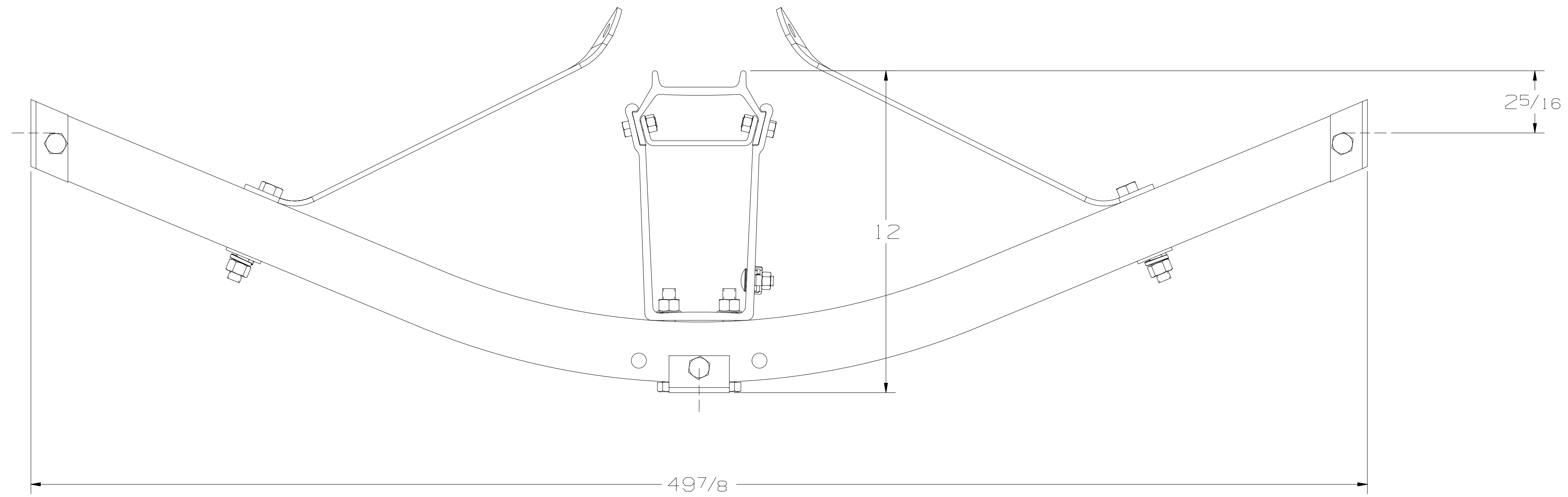
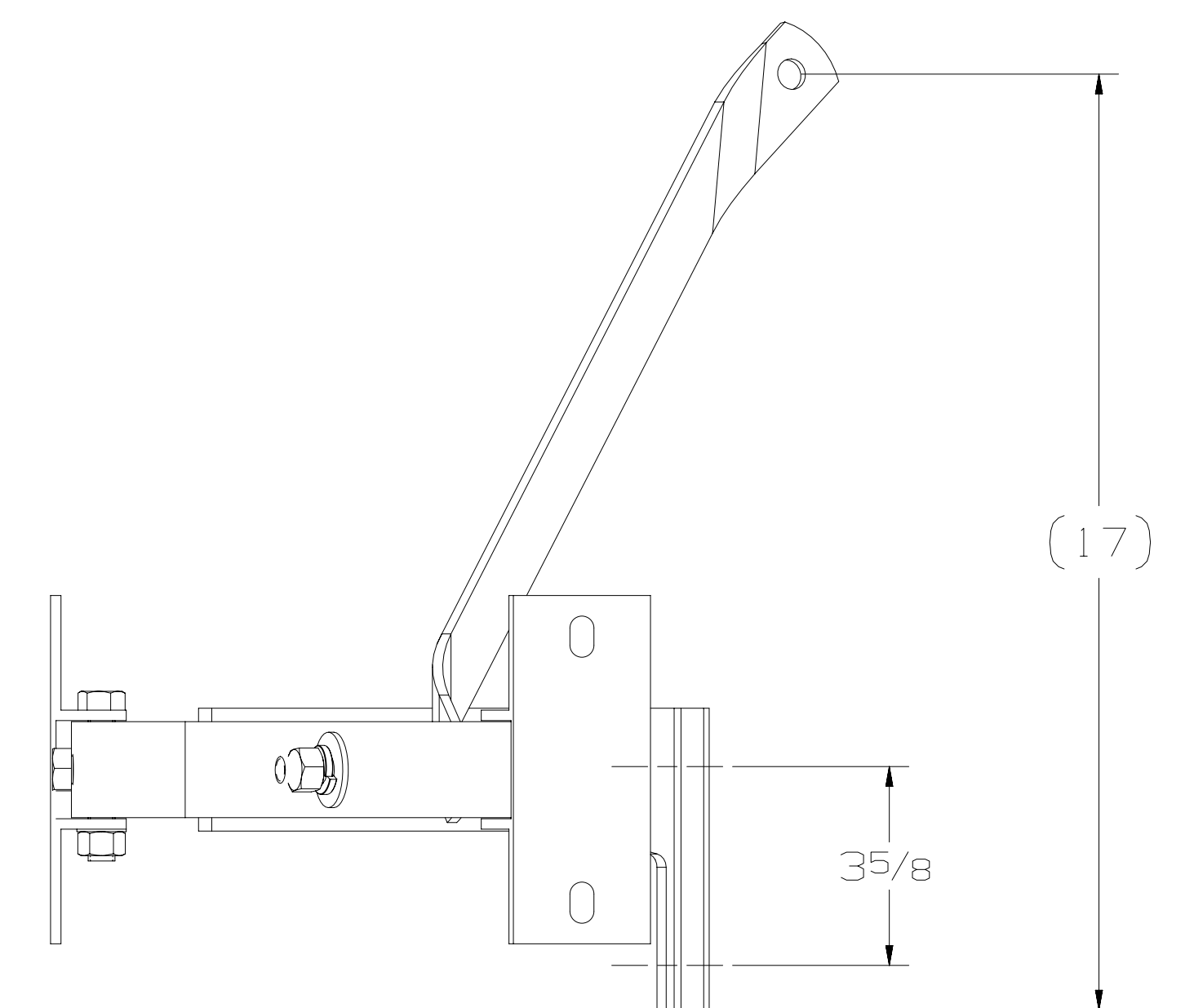
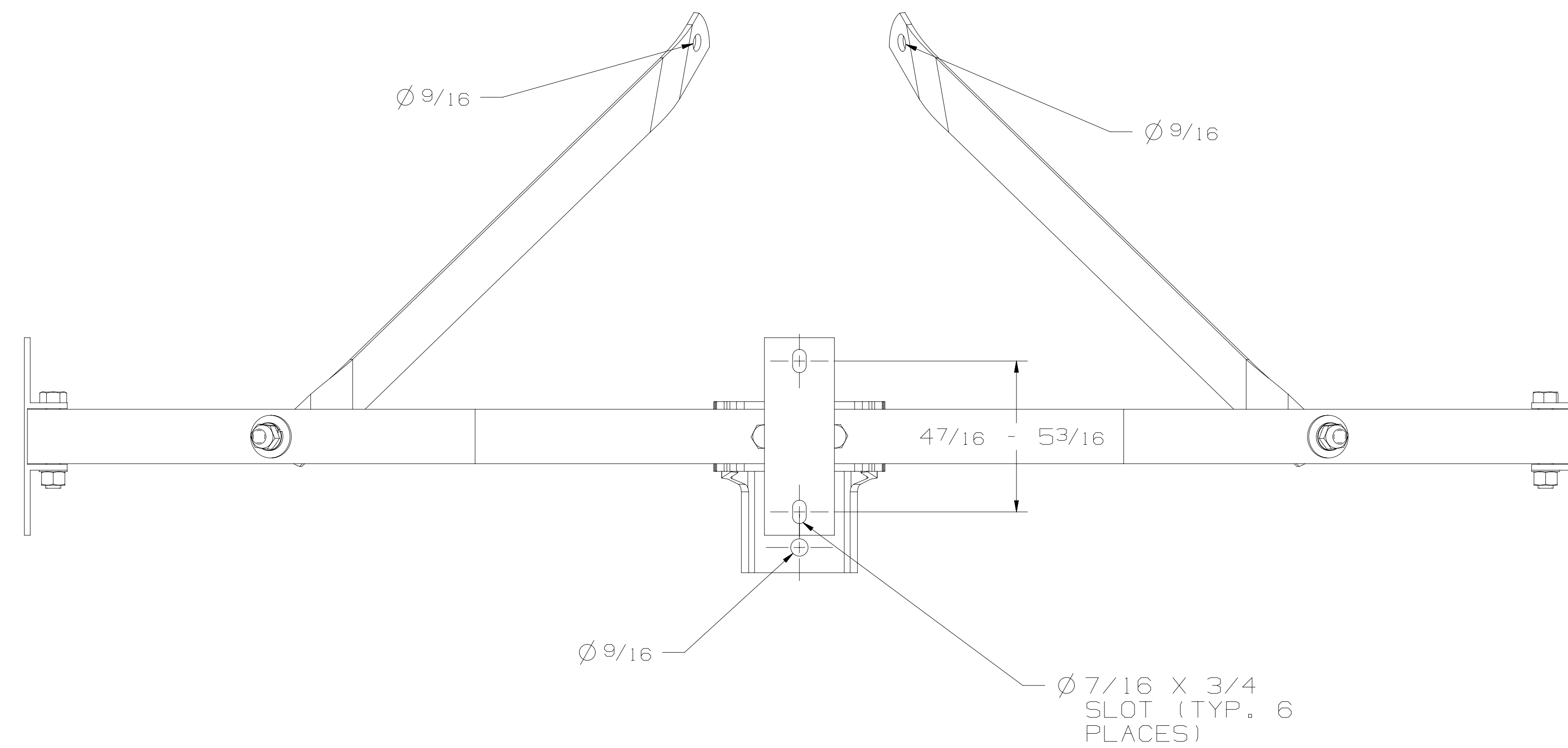


NOTES :

- 1.) MATERIAL: EQUIPMENT MOUNT BODY, ALUMINUM HARDWARE, GALVANIZED STEEL.
- 2.) ASSEMBLED COMPLETE AS SHOWN.
- 3.) 3/8" HARDWARE PROVIDED FOR EACH EQUIPMENT MOUNTING LOCATION.
- 4.) MOUNTS ON WOOD POLES WITH 5/8" THRU-BOLT AND 3 LAG SCREWS (NOT INCLUDED WITH ASSEMBLY).



CATALOG NUMBER: CR3CA2C48



LATEST EC NO:		REV.	DATE	CHANGED BY	RESP ENGINEER
-----		-	-----	-----	-----
DO NOT SCALE THIS DWG				THIRD ANGLE PROJECTION	
				ISO DUAL DIMENSIONS IN=INCH, MM=MILLIMETER	
DRN BY:	DATE	TITLE:			SIZE
JUL	04-25-12	CURVED TUBE EQUIPMENT MOUNT			D
		DWG NO:		SACR3CA-2C-48	

CONFIDENTIAL: THIS DRAWING AND ITS CONTENTS ARE CONFIDENTIAL AND THE EXCLUSIVE PROPERTY OF HUBBELL POWER SYSTEMS, INC. NO PUBLICATION, DISTRIBUTION OR REPRODUCTION OF THIS DRAWING OR ANY PARTS THEREOF SHALL BE MADE WITHOUT THE WRITTEN CONSENT OF HUBBELL POWER SYSTEMS, INC. © 2012 HUBBELL POWER SYSTEMS. UNPUBLISHED. ALL RIGHTS RESERVED UNDER THE COPYRIGHT LAWS.