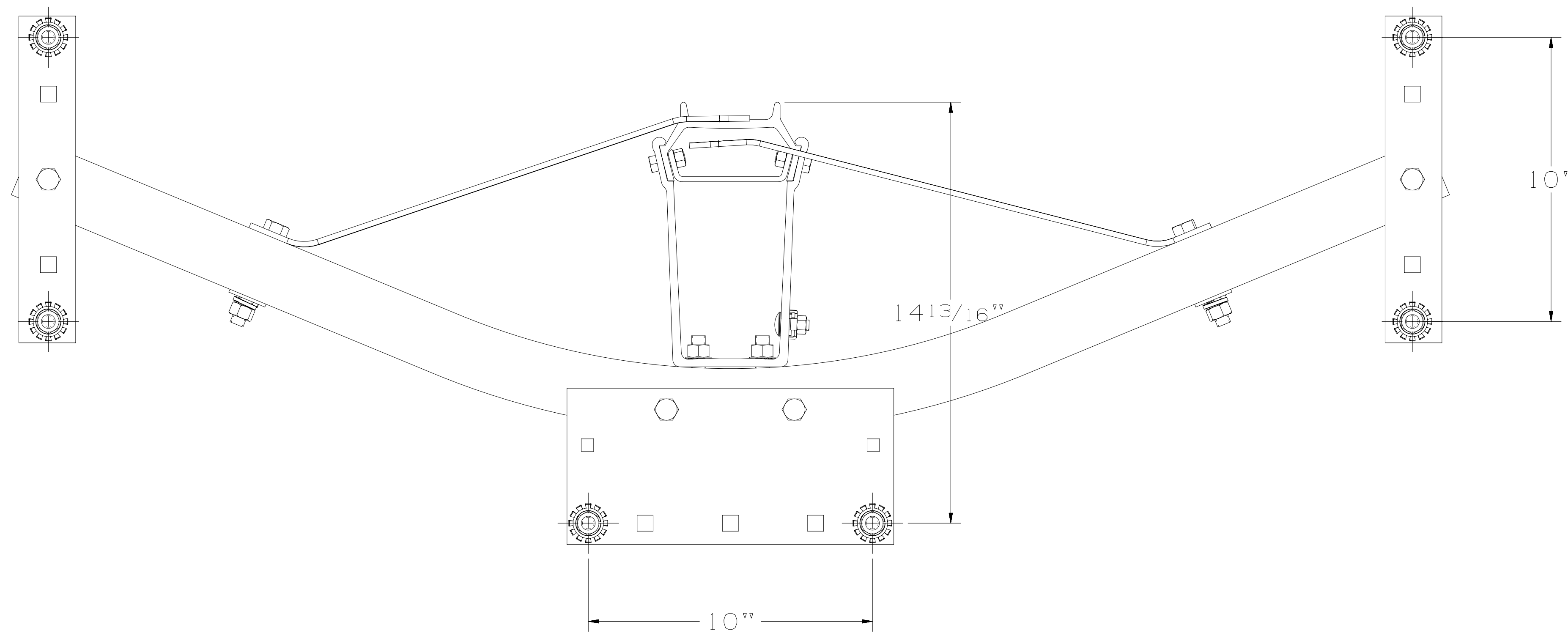
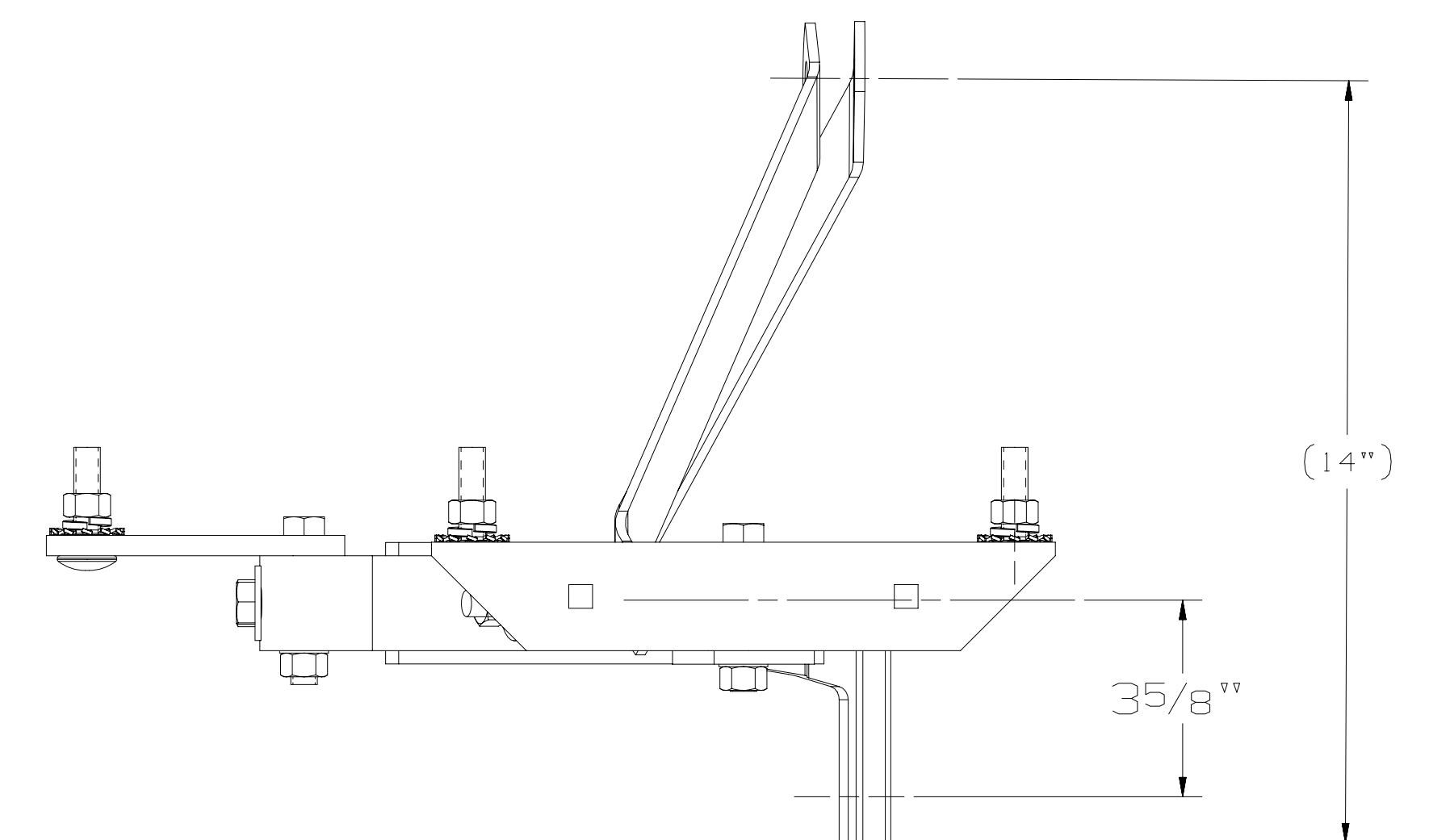
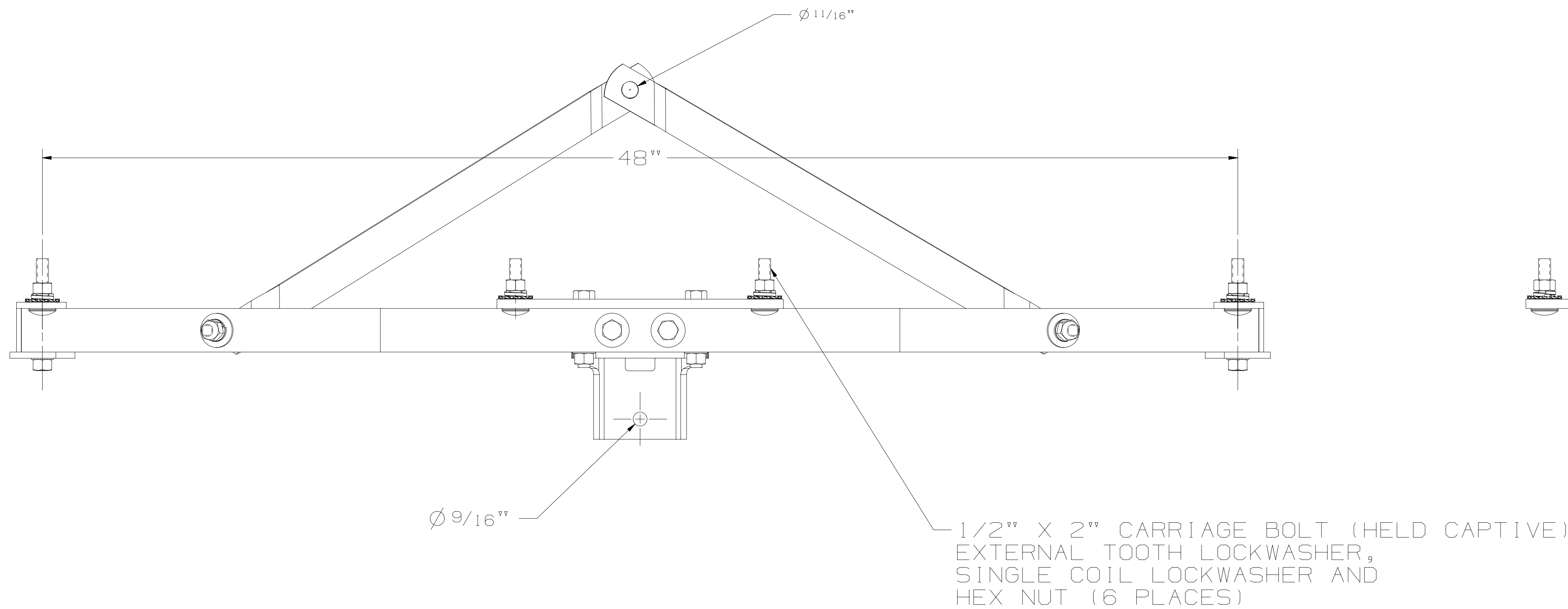


NOTES:

- 1.) MATERIAL: EQUIPMENT MOUNT BODY, ALUMINUM HARDWARE, GALVANIZED STEEL.
- 2.) ASSEMBLED COMPLETE AS SHOWN.
- 3.) MOUNTS ON WOOD POLES WITH 5/8" THRU-BOLTS AND LAG SCREW (NOT SUPPLIED WITH ASSEMBLY).



CATALOG NUMBER: CR3CA48CB



| LATEST EC NO:            |  | REV.     | DATE  | CHANGED BY                     | RESP ENGINEER |
|--------------------------|--|----------|-------|--------------------------------|---------------|
| -----                    |  | -        | ----- | -----                          | -----         |
| DRN BY: DATE             |  |          |       | TITLE:                         |               |
| JUL                      |  | 08-20-12 |       | 3-PHASE CURVED EQUIPMENT MOUNT |               |
| HUBBELL<br>POWER SYSTEMS |  |          |       | CHANCE                         |               |
| C.A.D.<br>C.A.M.         |  |          |       | DWG NO:<br>SACR3CA-48-CB       |               |

CONFIDENTIAL: THIS DRAWING AND ITS CONTENTS ARE CONFIDENTIAL AND THE EXCLUSIVE PROPERTY OF HUBBELL A.B. CHANCE COMPANY. NO PUBLICATION, DISTRIBUTION OR REPRODUCTION OF THIS DRAWING OR ITS CONTENTS IS PERMITTED WITHOUT THE WRITTEN CONSENT OF HUBBELL A.B. CHANCE COMPANY. © 2001 HUBBELL/A.B. CHANCE. UNPUBLISHED - ALL RIGHTS RESERVED UNDER THE COPYRIGHT LAWS