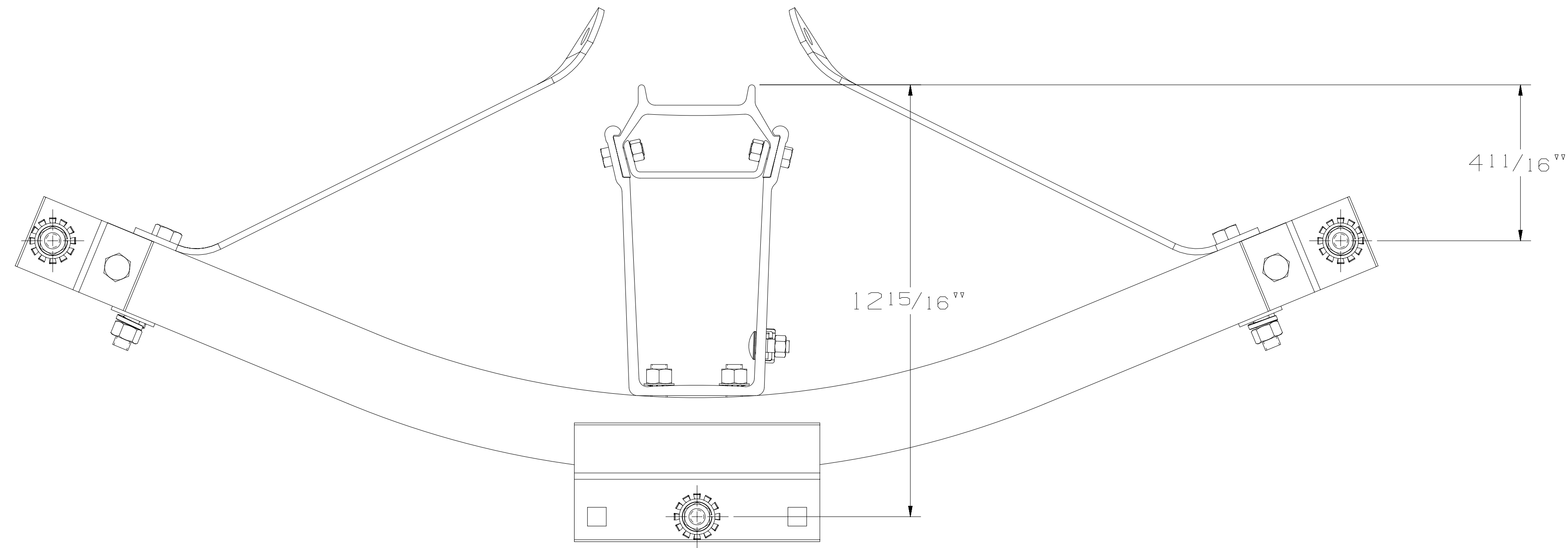
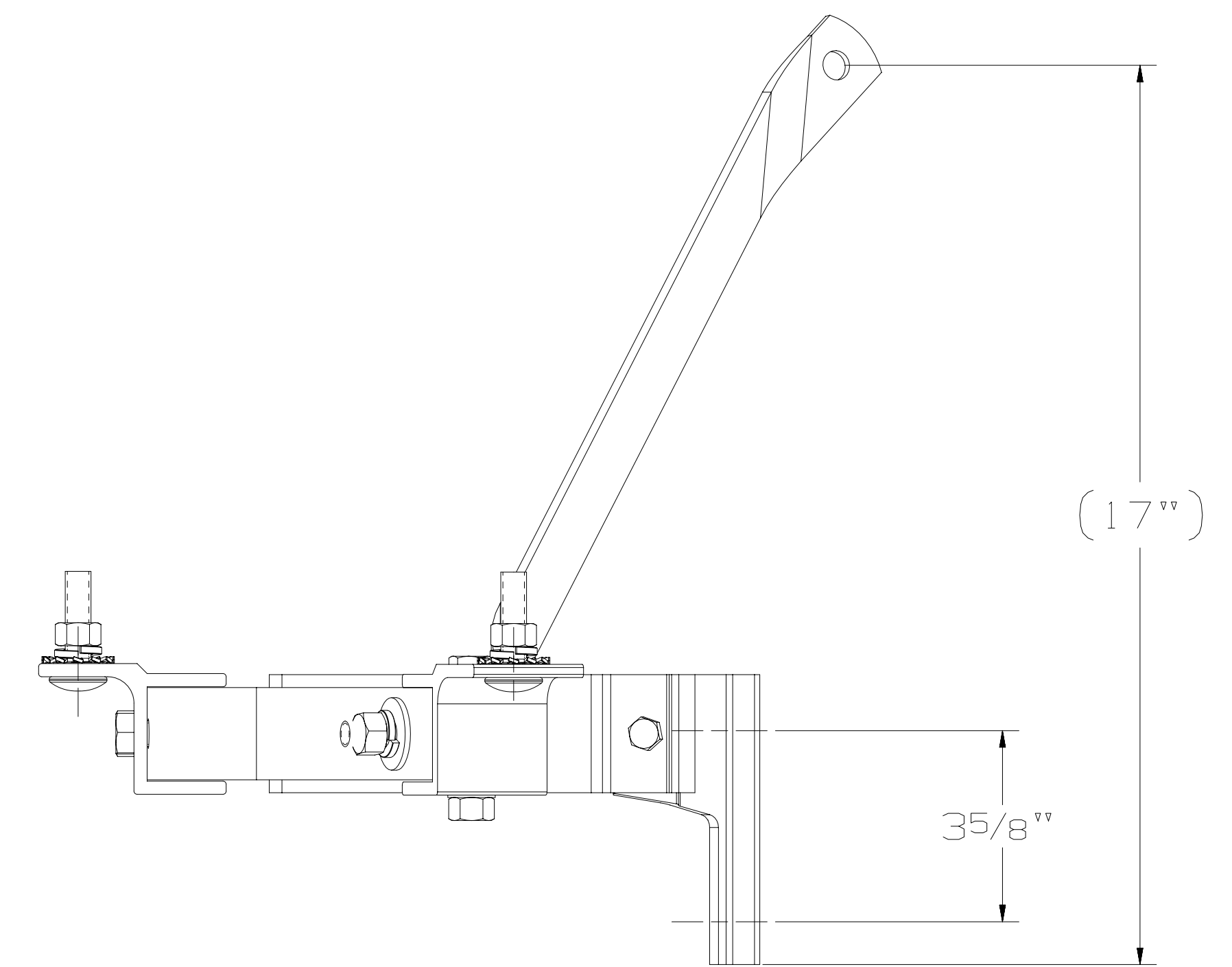
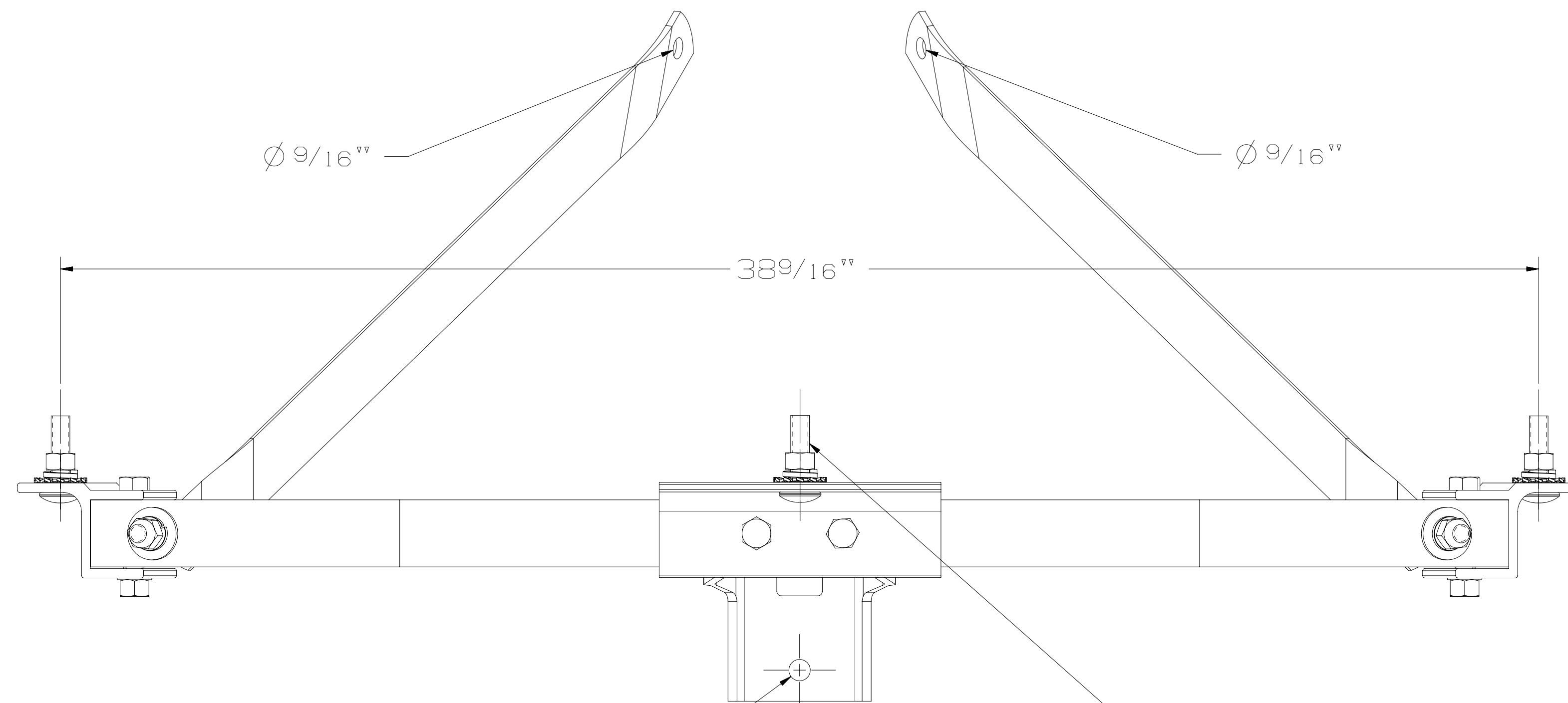


NOTES :

- 1.) MATERIAL: EQUIPMENT MOUNT BODY, ALUMINUM
HARDWARE, GALVANIZED STEEL.
- 2.) ASSEMBLED COMPLETE AS SHOWN.
- 3.) MOUNTS ON WOOD POLES WITH 5/8" THRU-BOLT
AND 3 LAG SCREWS (NOT SUPPLIED WITH ASSEMBLY)



CATALOG NUMBER: CR3CAC



$\phi 9/16$ "

1/2" X 2" CARRIAGE BOLT (HELD CAPTIVE)
EXTERNAL TOOTH LOCKWASHER,
SINGLE COIL LOCKWASHER AND
HEX NUT (3 PLACES).

LATEST EC NO:		REV.	DATE	CHANGED BY	RESP ENGINEER
-----		-	-----	-----	-----
				DO NOT SCALE THIS DWG	THIRD ANGLE PROJECTION
				ISO DUAL DIMENSIONS 1"=1" INCH, MM=MILLIMETER	
DRN BY:	DATE	TITLE:			SIZE
JUL	04-25-12	CURVED TUBE EQUIPMENT MOUNT			D
		DWG NO:		SACR3CA-C	

CONFIDENTIAL: THIS DRAWING AND ITS CONTENTS ARE CONFIDENTIAL AND THE EXCLUSIVE PROPERTY OF HUBBELL POWER SYSTEMS, INC. NO PUBLICATION, DISTRIBUTION OR REPRODUCTION OF THIS DRAWING OR ANY PARTS THEREOF SHALL BE MADE WITHOUT THE WRITTEN CONSENT OF HUBBELL POWER SYSTEMS, INC. © 2012 HUBBELL POWER SYSTEMS. UNPUBLISHED, ALL RIGHTS RESERVED UNDER THE COPYRIGHT LAWS