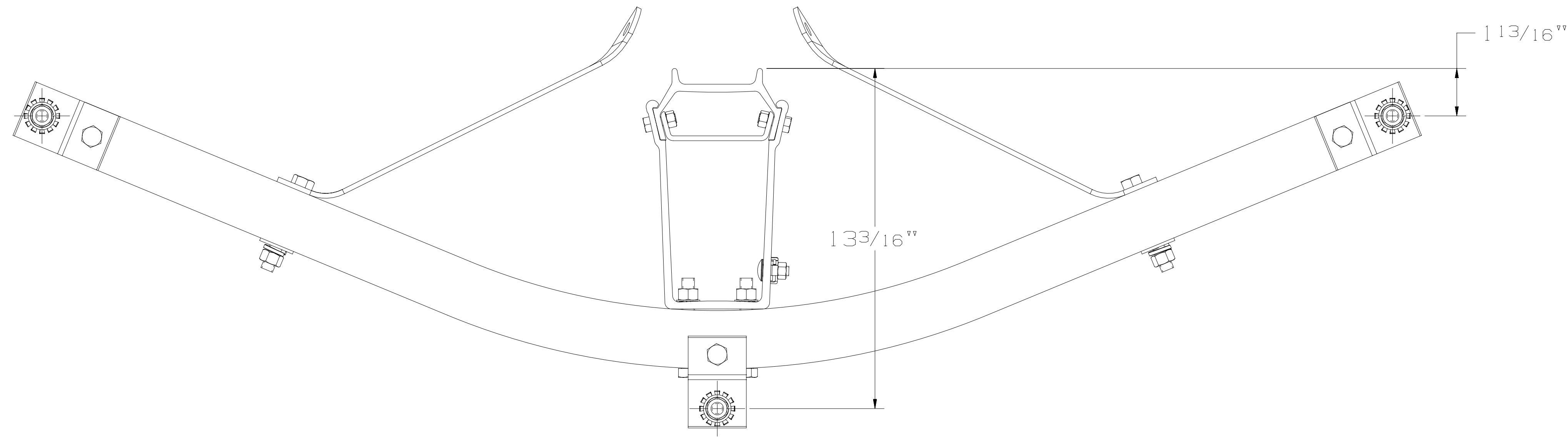
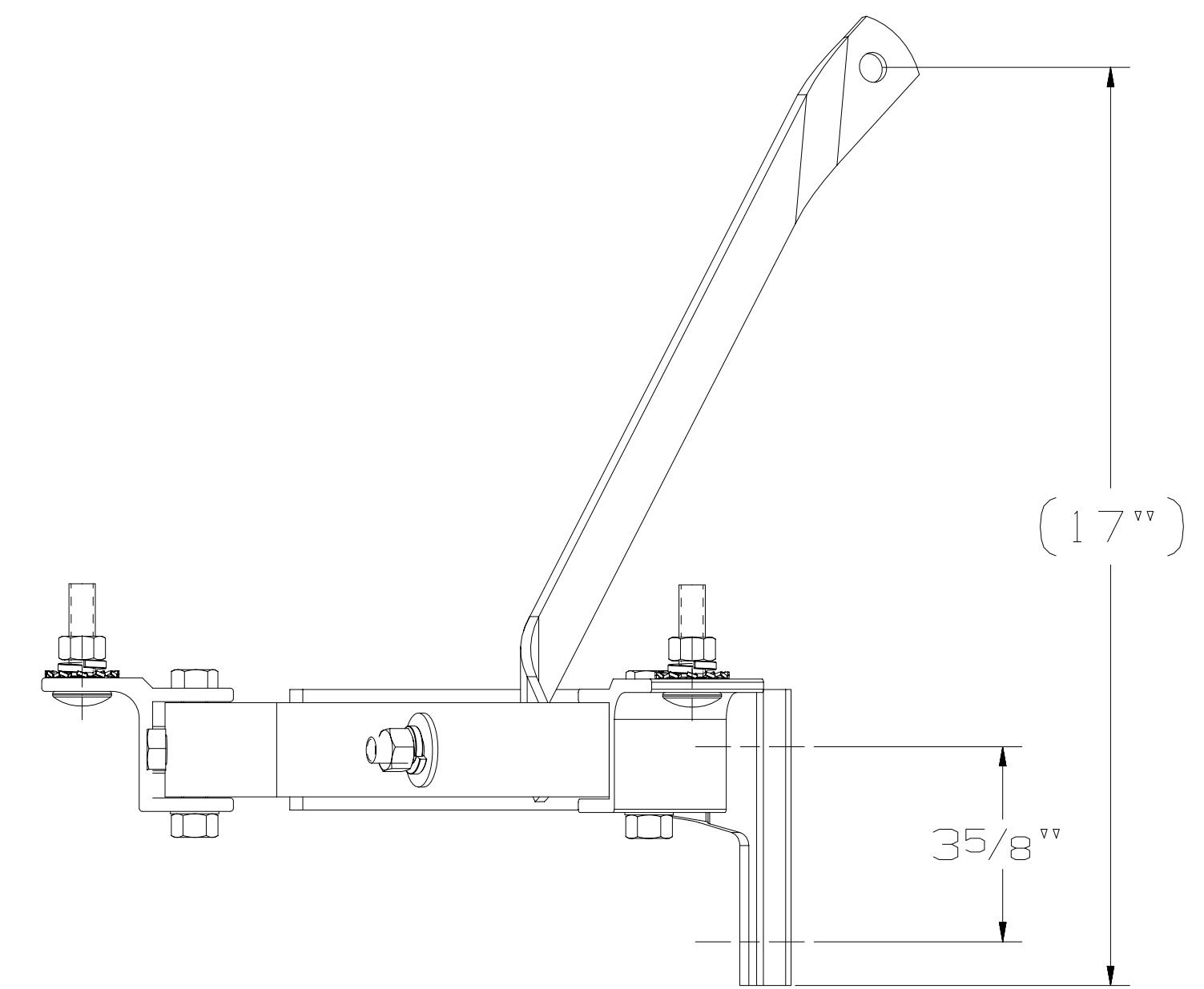
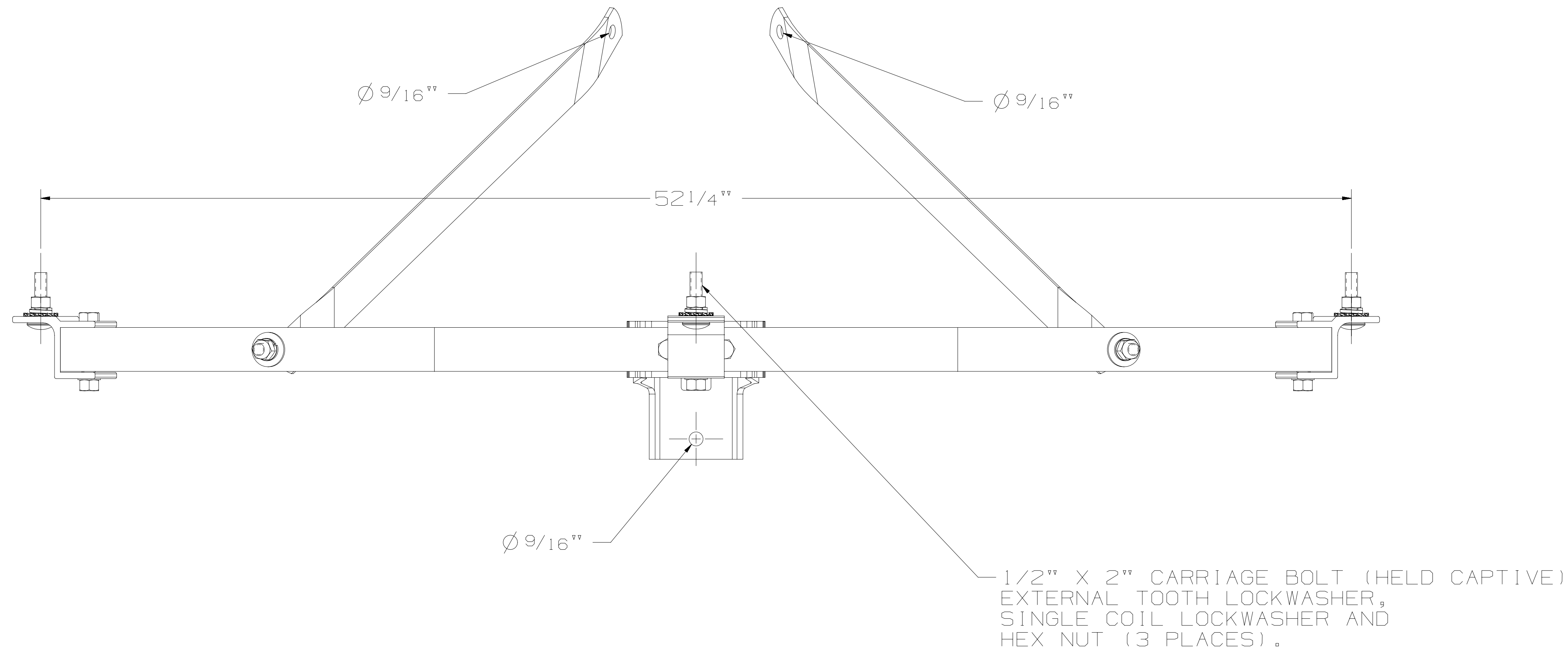


NOTES:

- 1.) MATERIAL: EQUIPMENT MOUNT BODY, ALUMINUM
HARDWARE, GALVANIZED STEEL.
- 2.) ASSEMBLED COMPLETE AS SHOWN.
- 3.) MOUNTS ON WOOD POES WITH 5/8" THRU-BOLT
AND 3 LAG SCREWS (NOT SUPPLIED WITH ASSEMBLY).



CATALOG NUMBER: CR3CAC48



LATEST EC NO:		REV.	DATE	CHANGED BY	RESP ENGINEER
-----		-	-----	-----	-----
DRN BY: DATE				TITLE:	
JUL		04-25-12		CURVED TUBE EQUIPMENT MOUNT	
DO NOT SCALE THIS DWG		THIRD ANGLE PROJECTION		ISO DUAL DIMENSIONS 1"=1 INCH, MM=MILLIMETER	
HUBBELL POWER SYSTEMS		CHANCE		DWG NO: SACR3CA-C-48	

CONFIDENTIAL: THIS DRAWING AND ITS CONTENTS ARE CONFIDENTIAL AND THE EXCLUSIVE PROPERTY OF HUBBELL POWER SYSTEMS, INC. NO PUBLICATION, DISTRIBUTION OR REPRODUCTION OF THIS DRAWING OR ANY PART THEREOF IS PERMITTED WITHOUT THE WRITTEN CONSENT OF HUBBELL POWER SYSTEMS, INC. © 2012 HUBBELL POWER SYSTEMS. UNPUBLISHED, ALL RIGHTS RESERVED UNDER THE COPYRIGHT LAWS