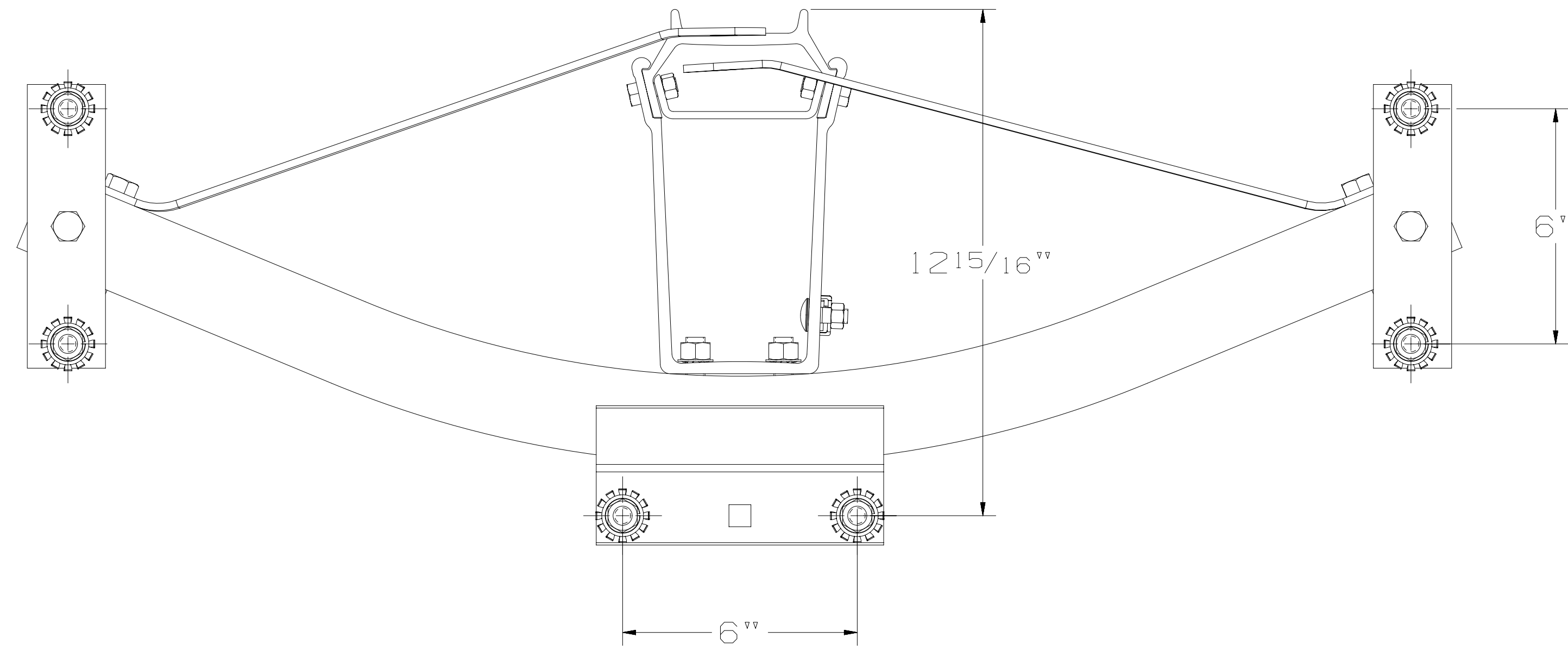
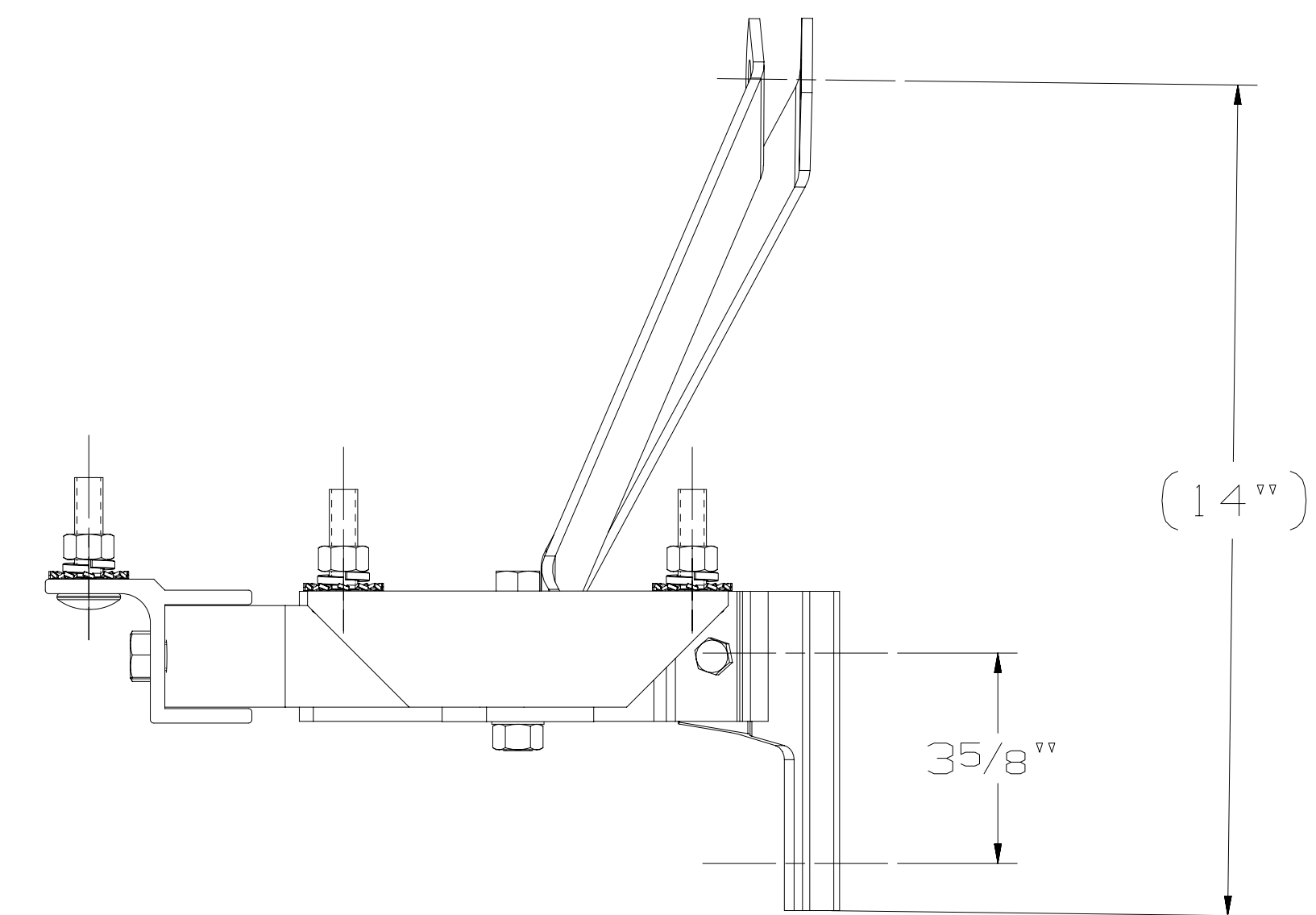
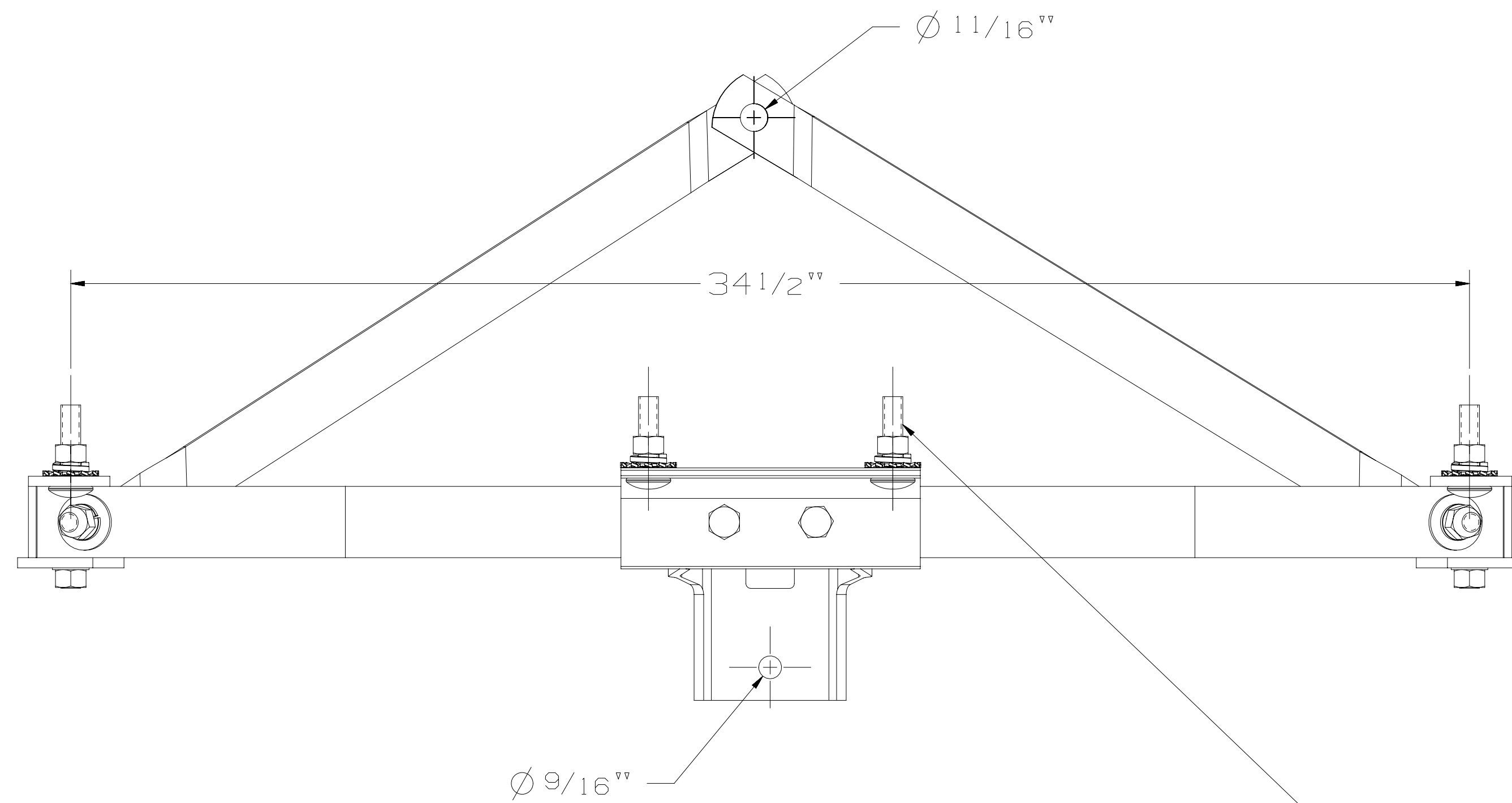


NOTES :

- 1.) MATERIAL: EQUIPMENT MOUNT BODY, ALUMINUM HARDWARE, GALVANIZED STEEL.
- 2.) ASSEMBLED COMPLETE AS SHOWN.
- 3.) MOUNTS ON WOOD POLES WITH 5/8" THRU-BOLTS AND LAG SCREW (NOT SUPPLIED WITH ASSEMBLY).



CATALOG NUMBER: CR3CACB



1/2" X 2" CARRIAGE BOLT (HELD CAPTIVE)  
EXTERNAL TOOTH LOCKWASHER,  
SINGLE COIL LOCKWASHER AND  
HEX NUT (6 PLACES)

LATEST EC NO:		REV.	DATE	CHANGED BY	RESP ENGINEER
-----		-	-----	-----	-----
				DO NOT SCALE THIS DWG	THIRD ANGLE PROJECTION
				ISO DUAL DIMENSIONS IN=INCH, MM=MILLIMETER	
DRN BY:	DATE:	TITLE:			SIZE:
JUL	08-20-12	3 PHASE CURVED EQUIPMENT MOUNT			D
		DWG NO:		SACR3CA-CB	

CONFIDENTIAL: THIS DRAWING AND ITS CONTENTS ARE CONFIDENTIAL AND THE EXCLUSIVE PROPERTY OF HUBBELL POWER SYSTEMS, A DIVISION OF HUBBELL CORPORATION. NO PUBLICATION, DISTRIBUTION OR REPRODUCTION OF THIS DRAWING OR ANY PART THEREOF IS PERMITTED WITHOUT THE WRITTEN CONSENT OF HUBBELL CORPORATION. © 2001 HUBBELL/A.B. CHANCE. UNPUBLISHED - ALL RIGHTS RESERVED UNDER THE COPYRIGHT LAWS.