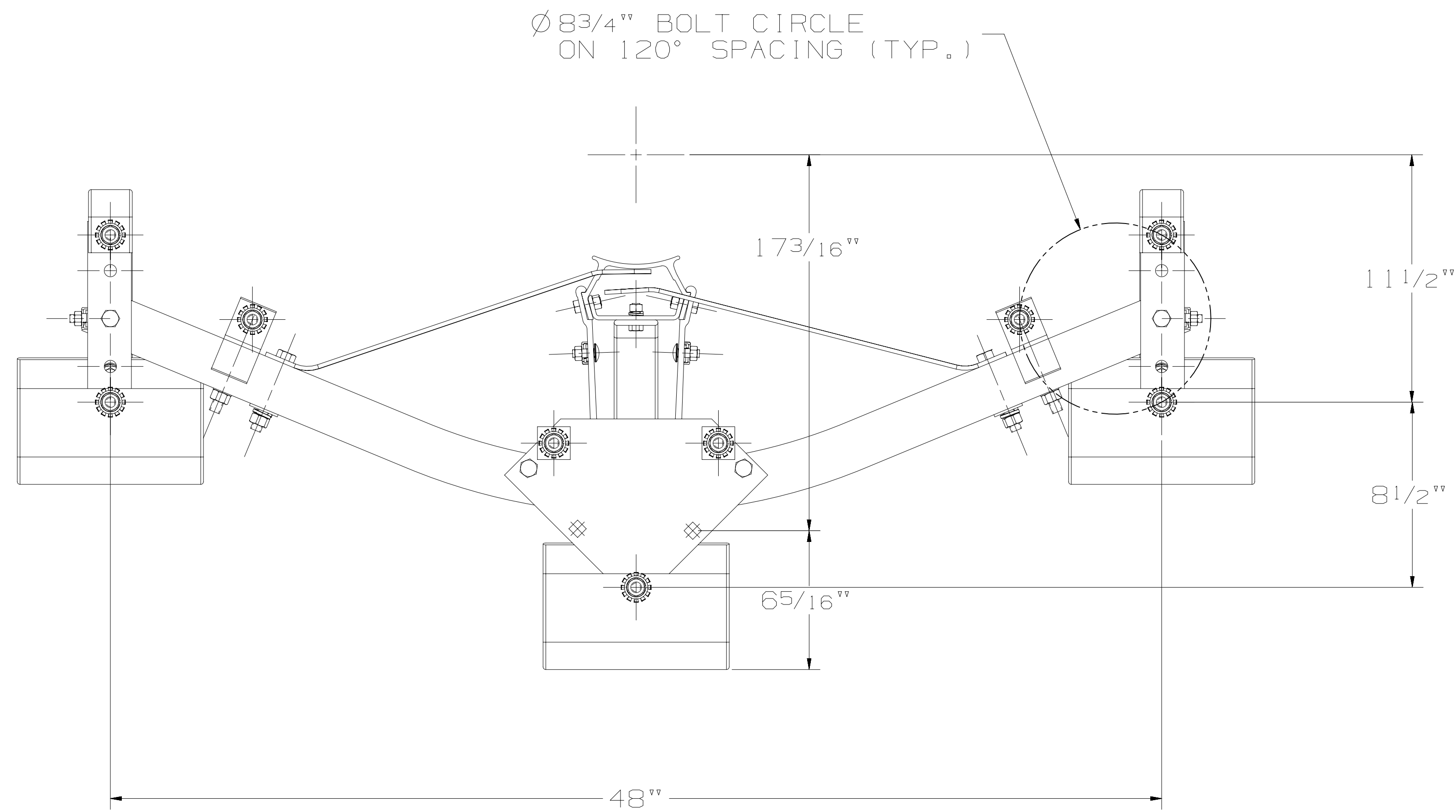


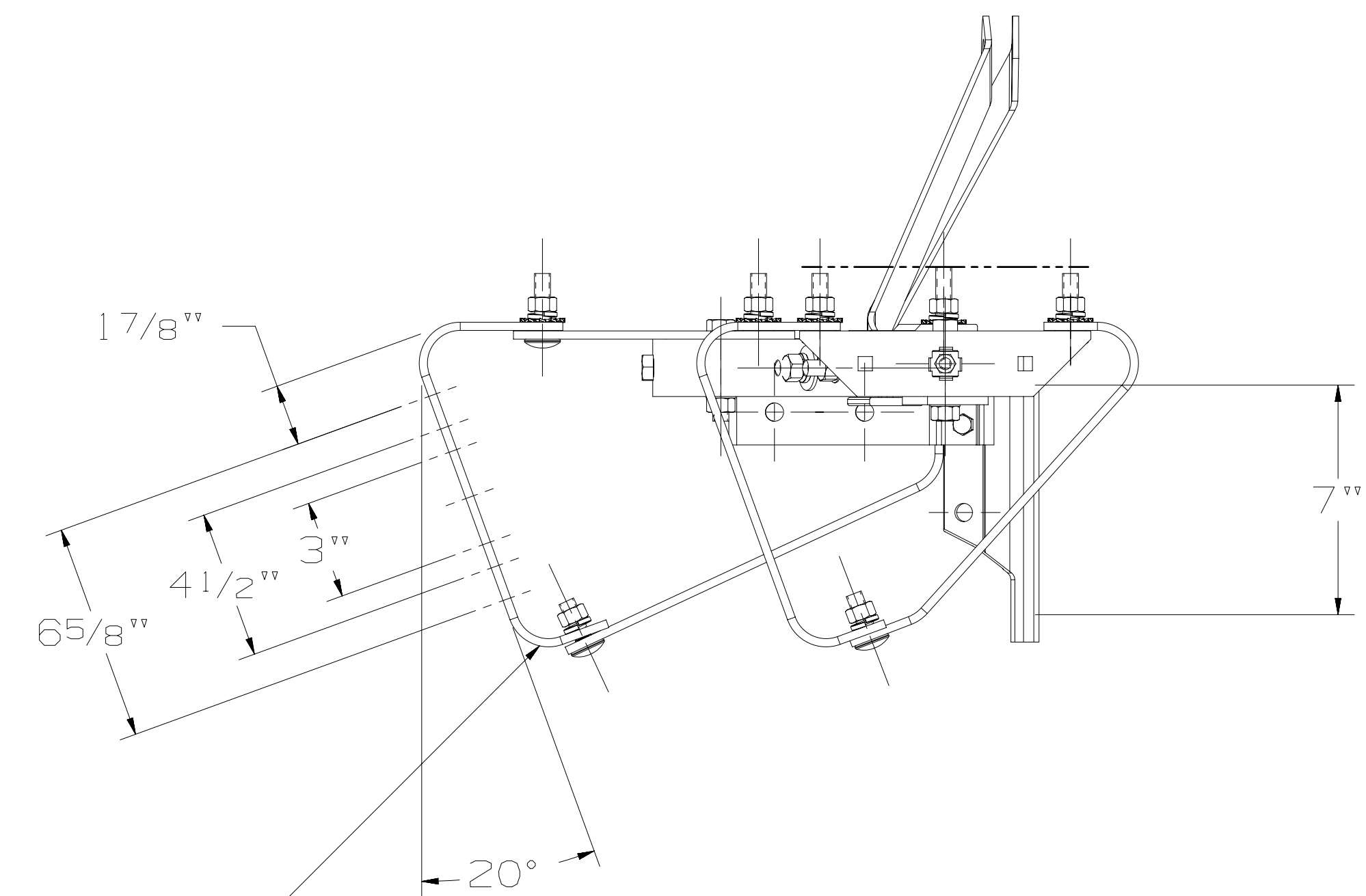
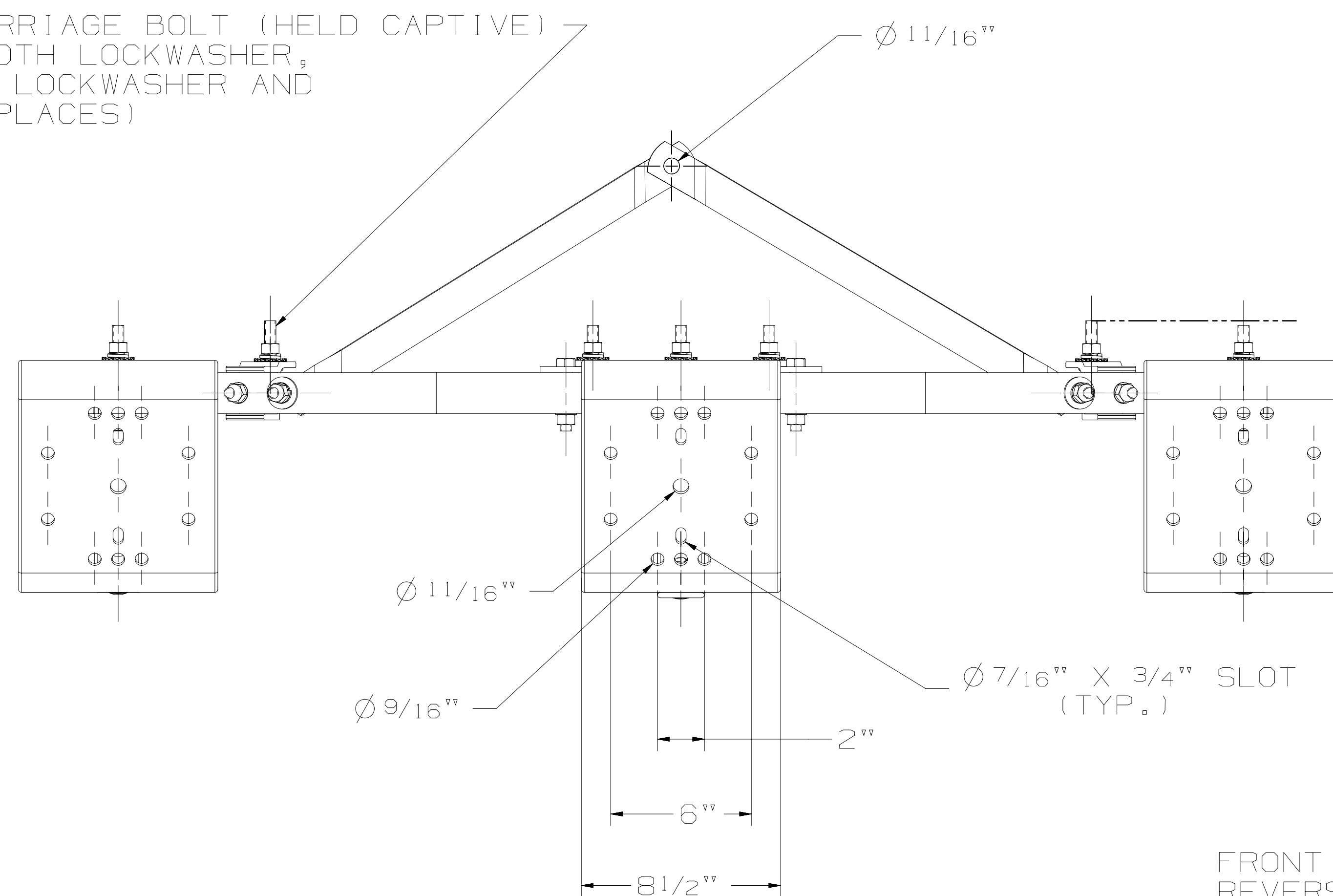
NOTES:

- 1.) MATERIAL: EQUIPMENT MOUNT BODY, ALUMINUM
HARDWARE, GALVANIZED STEEL.
- 2.) ASSEMBLED COMPLETE AS SHOWN.



CATALOG NUMBER: CR3CSA48CBAH

1/2" X 2" CARRIAGE BOLT (HELD CAPTIVE)
EXTERNAL TOOTH LOCKWASHER,
SINGLE COIL LOCKWASHER AND
HEX NUT (9 PLACES)



FRONT MOUNTS MAY BE
REVERSED FOR VERTICAL
MOUNTING POSITION

LATEST EC NO:		REV.	DATE	CHANGED BY	RESP ENGINEER
-----		-	-----	-----	-----
DO NOT SCALE THIS DWG					THIRD ANGLE PROJECTION
ISO DUAL DIMENSIONS					1"=1 INCH, MM=MILLIMETER
DRN BY:	DATE:	TITLE:			SIZE:
JUL	08-20-12	HEAVY DUTY EQUIPMENT MOUNT			D
HUBBELL POWER SYSTEMS		CHANCE		DWG NO: SACR3CSA-48-CB-AH	

CONFIDENTIAL: THIS DRAWING AND ITS CONTENTS ARE CONFIDENTIAL AND THE EXCLUSIVE PROPERTY OF HUBBELL A.B. CHANCE COMPANY. NO PUBLICATION, DISTRIBUTION OR REPRODUCTION OF THIS DRAWING IS PERMITTED WITHOUT THE WRITTEN CONSENT OF HUBBELL A.B. CHANCE COMPANY. © 2001 HUBBELL/A.B. CHANCE. UNPUBLISHED - ALL RIGHTS RESERVED UNDER THE COPYRIGHT LAWS