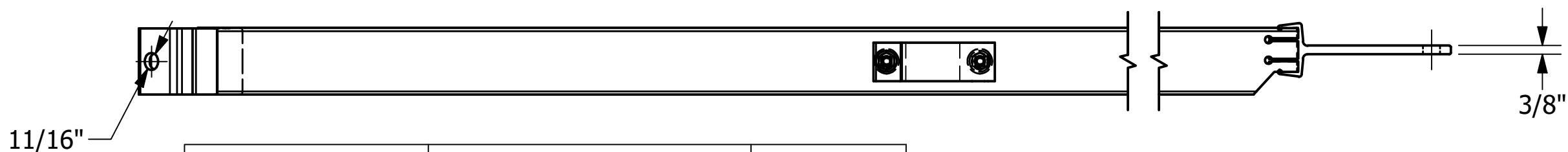
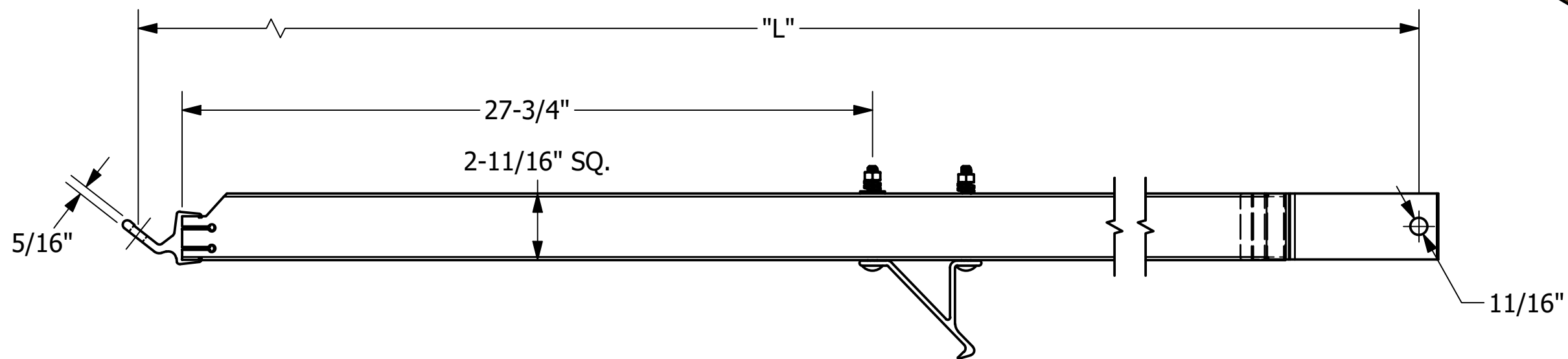
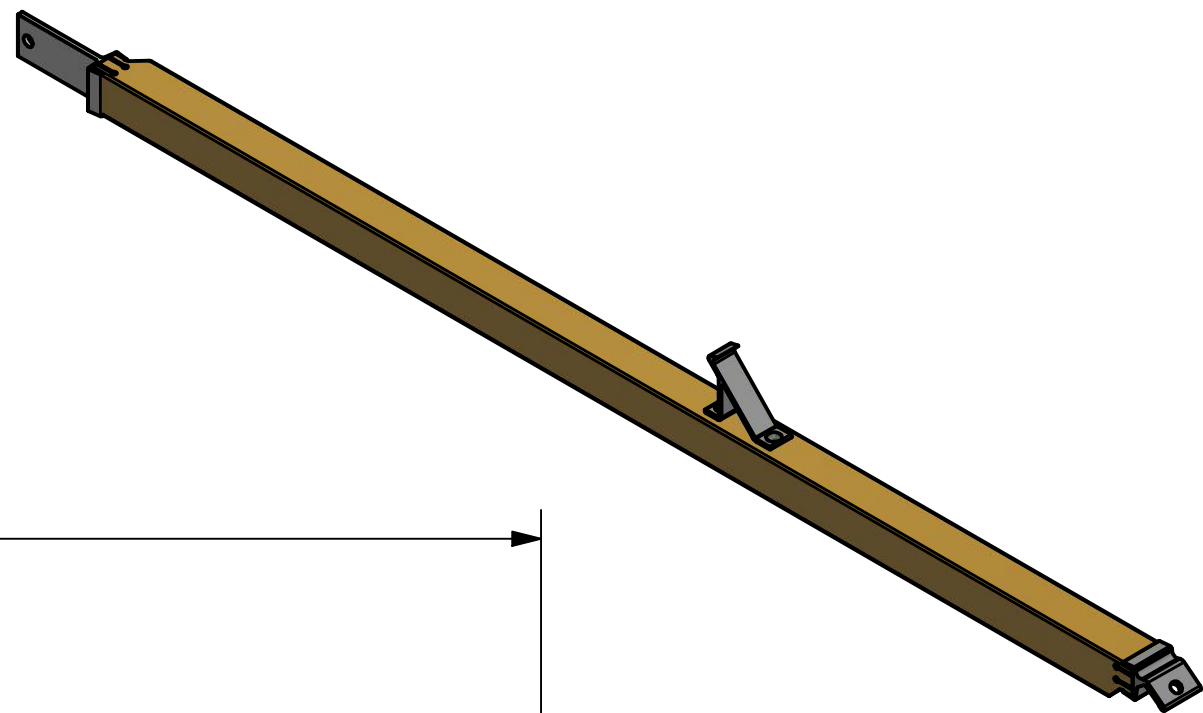


- NOTES -

1. MATERIAL: APITONG WOOD WITH 6061:T6 ALUMINUM END FITTINGS.
2. APITONG WOOD IS PRESSURE TREATED WITH COPPER NAPHTHENATE PER AWPA P8.
3. ALUMINUM END FITTINGS ARE PRESSED ON AND CAPTURED WITH A NAIL THROUGH BOTH THE WOOD AND ALUMINUM.



CATALOG NUMBER	CMC/BARFIELD NUMBER	"L"
CRAAB60		60"
CRAAB76		76"
CRAAB84	BRAAB84	84"
CRAAB90358		90"
CRAAB120		120"

* FOR APPLICATION WHERE STEP IS NOT REQUIRED, ADD SUFFIX "LS" TO CATALOG NUMBER.

<h1>CHANCE[®]</h1>	HUBBELL POWER SYSTEMS, INC.			
	TITLE ALLEY ARM BRACE, APITONG			
CONFIDENTIAL: THIS DRAWING AND ITS CONTENTS ARE CONFIDENTIAL AND THE EXCLUSIVE PROPERTY OF HUBBELL POWER SYSTEMS. NO PUBLICATION, DISTRIBUTION, OR COPIES MAY BE MADE WITHOUT THE WRITTEN CONSENT OF HUBBELL POWER SYSTEMS. HUBBELL POWER SYSTEMS UNPUBLISHED ALL RIGHTS RESERVED UNDER THE COPYRIGHT LAWS.	SIZE B	CAT / PART / ASSY NO. SEE TABLE	DWG NO. SACRAAB84	REV C
DO NOT SCALE THIS DRAWING	DRN BY TOLIVER	DATE 10/20/20	SHEET 1 OF 1	