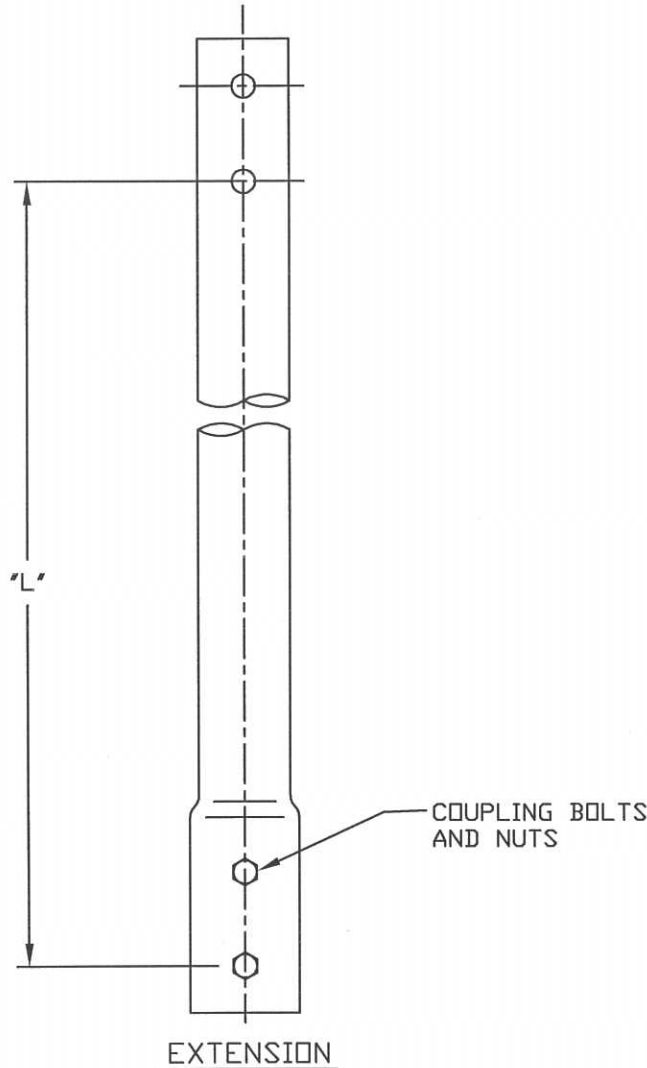


RS2875. 276 EXTENSIONS

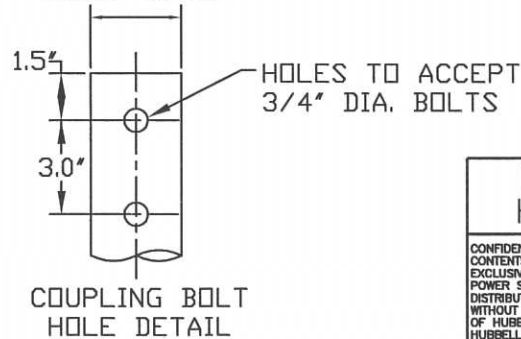
TORQUE STRENGTH RATING-8,000 FT-LB
 ULTIMATE CAPACITY*(TENSION/COMPRESSION)-72KIP
 *BASED ON A TORQUE FACTOR (Kt)=9
 ULTIMATE TENSION AND COMPRESSION STRENGTH-90 KIP

-NOTES-

1. HOT DIP GALVANIZED PER ASTM 153-(LATEST REVISION)
2. EXTENSION SECTION LENGTHS ARE NOMINAL.
3. PIPE SHAFT MATERIAL 2.5" NOMINAL, SCHEDULE 80 WALL THICKNESS PER ASTM A500 GRADE B.
4. COUPLING BOLTS: 3/4" DIAMETER X 4.25" LONG HEX HEAD PER SAE J429 GRADE 5.
5. REFER TO SACRSLBBFFF07 FOR LEAD SECTION DRAWINGS
6. MANUFACTURER TO HAVE IN EFFECT INDUSTRY RECOGNIZED WRITTEN QUALITY CONTROL FOR ALL MATERIALS AND MANUFACTURING PROCESSES.
7. EXTENSIONS ARE FABRICATED WITH A HOT FORGED EXPANDED INTEGRAL COUPLING CONNECTION ON ONE END.



2-7/8" O.D. SCH. 80
 (.276" WALL)



CATALOG NUMBER	DESCRIPTION	"L"
CRSEBFFFF05	RS2875.276 PIPE SHAFT EXT. 5'	57"
CRSEBFFFF07	RS2875.276 PIPE SHAFT EXT. 7'	78"
CRSEBFFFF10	RS2875.276 PIPE SHAFT EXT. 10'	120"
CRSEBFFFF03	RS2875.276 PIPE SHAFT EXT. 3.5'	36"

CHANCE HELICAL <small>CONFIDENTIAL: THIS DRAWING AND ITS CONTENTS ARE CONFIDENTIAL AND THE EXCLUSIVE PROPERTY OF HUBBELL POWER SYSTEMS, INC. NO PUBLICATION, DISTRIBUTION OR COPIES MAY BE MADE WITHOUT THE PRIOR WRITTEN CONSENT OF HUBBELL POWER SYSTEMS, INC. HUBBELL POWER SYSTEMS UNPUBLISHED. ALL RIGHTS RESERVED UNDER THE COPYRIGHT LAWS.</small>			HUBBELL POWER SYSTEMS EXTENSION RS2875.276		REV A
	SIZE A	DWG NO. SACRSEBFFFF05	DO NOT SCALE THIS DRAWING	DRN BY TLW	DATE 5/26/11