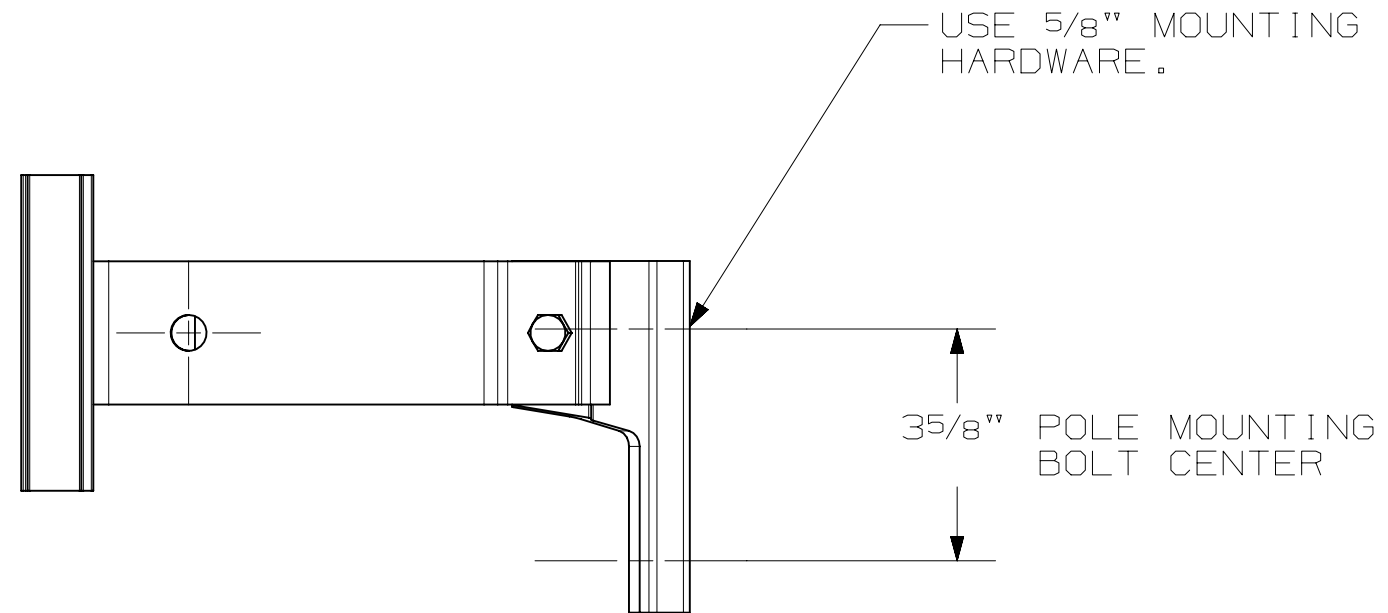


NOTES :

- 1.) ASSEMBLED COMPLETE AS SHOWN.
- 2.) MATERIAL: BRACKET, ALUMINUM.
HARDWARE, GALVANIZED STEEL.

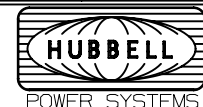


CATALOG NUMBER : CTBRSM1

LATEST EC NO:	REV.	DATE	CHANGED BY	RESP ENGINEER
---	-	-----	---	---

DO NOT SCALE THIS DWG	THIRD ANGLE PROJECTION	
	ISO DUAL DIMENSIONS IN=INCH, MM=MILLIMETER	

DRN BY:	DATE:	TITLE:	SIZE:
JUL	01-14-13	RECLOSER MOUNT	B



DWG NO: SACTBRSM-1

CONFIDENTIAL: THIS DRAWING AND ITS CONTENTS ARE CONFIDENTIAL AND THE EXCLUSIVE PROPERTY OF HUBBELL POWER SYSTEMS, INC. NO PUBLICATION, DISTRIBUTION OR COPIES MAY BE MADE WITHOUT WRITTEN CONSENT BY HUBBELL POWER SYSTEMS, INC. © 2012 HUBBELL POWER SYSTEMS. UNPUBLISHED, ALL RIGHTS RESERVED UNDER THE COPYRIGHT LAWS