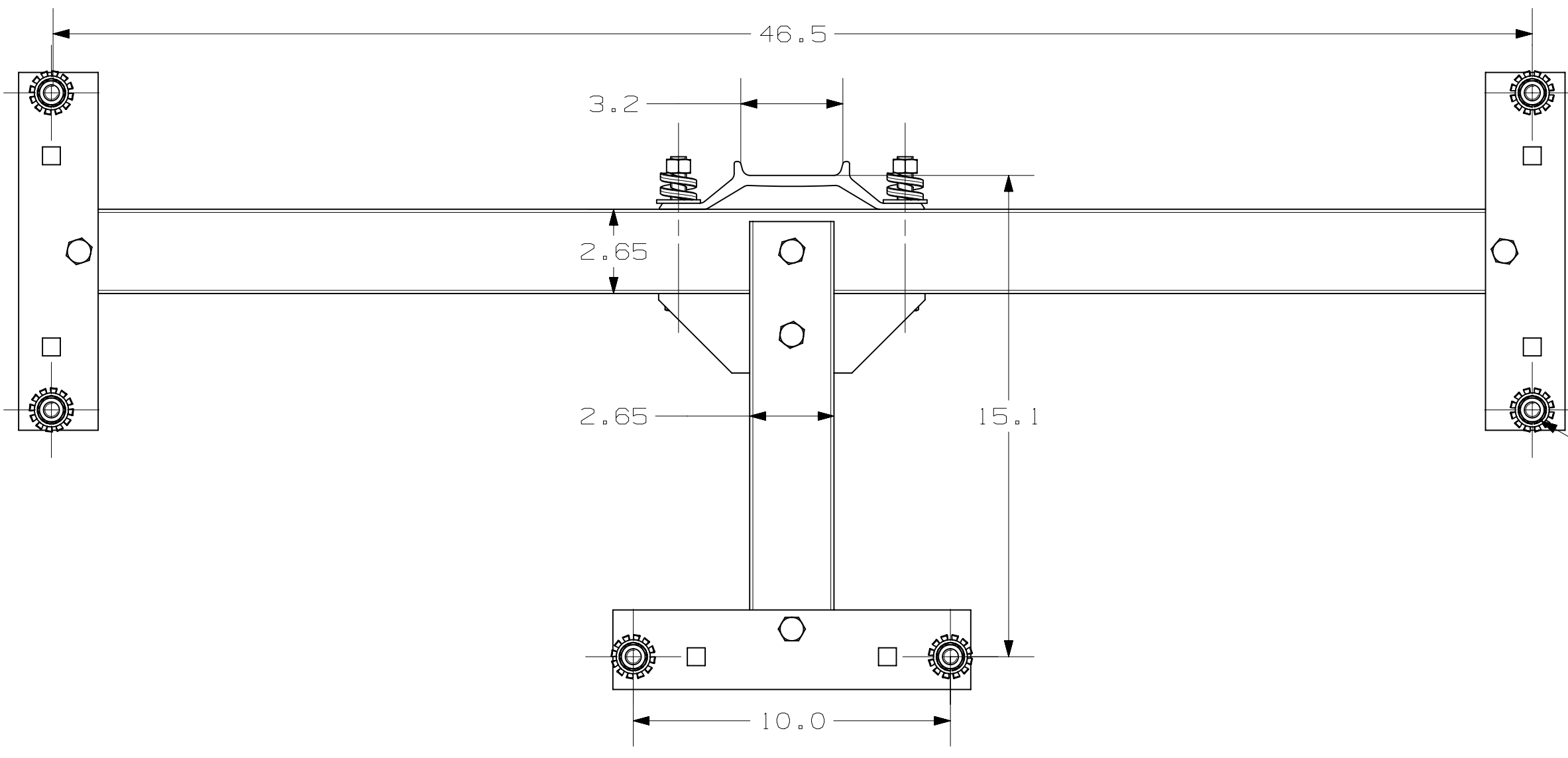
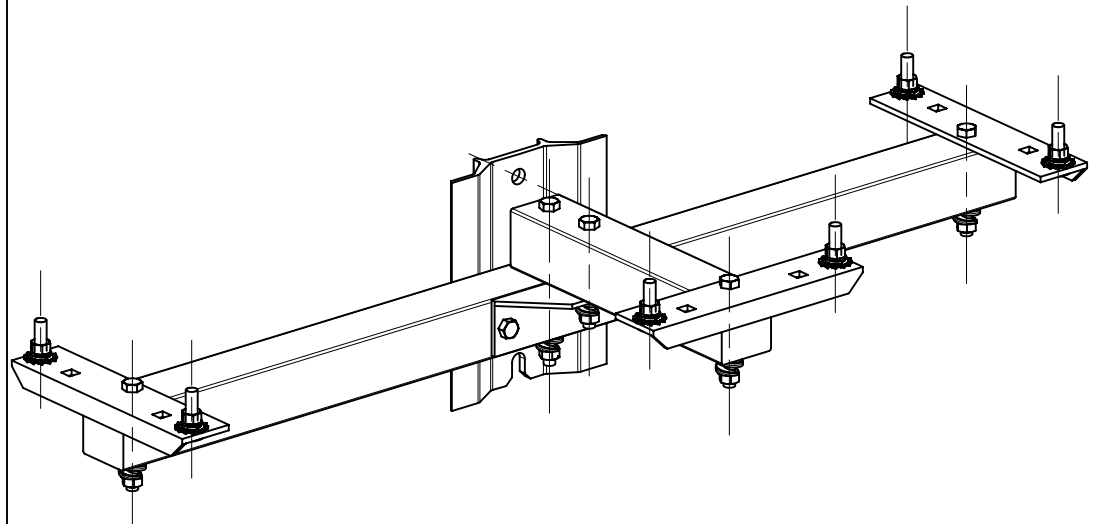
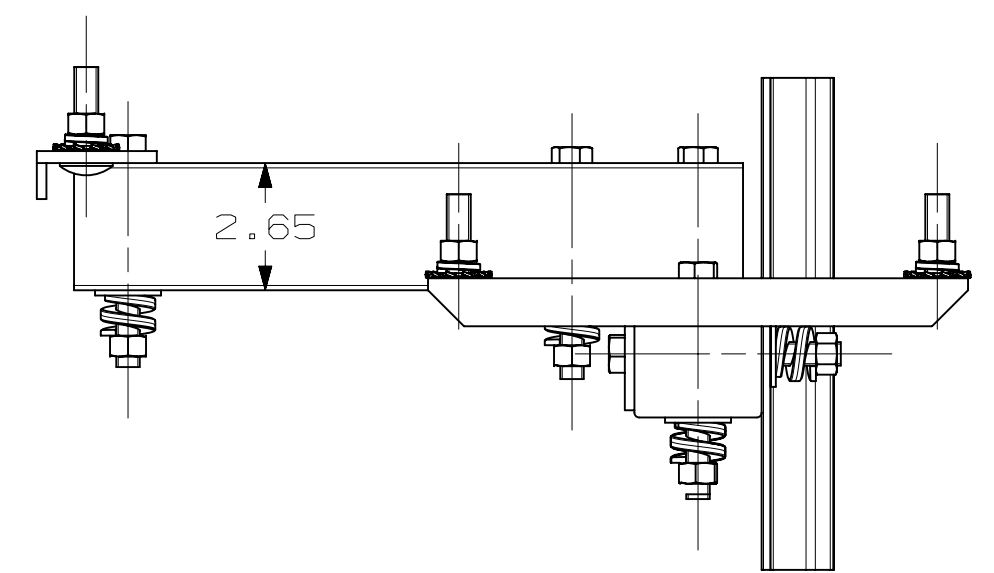
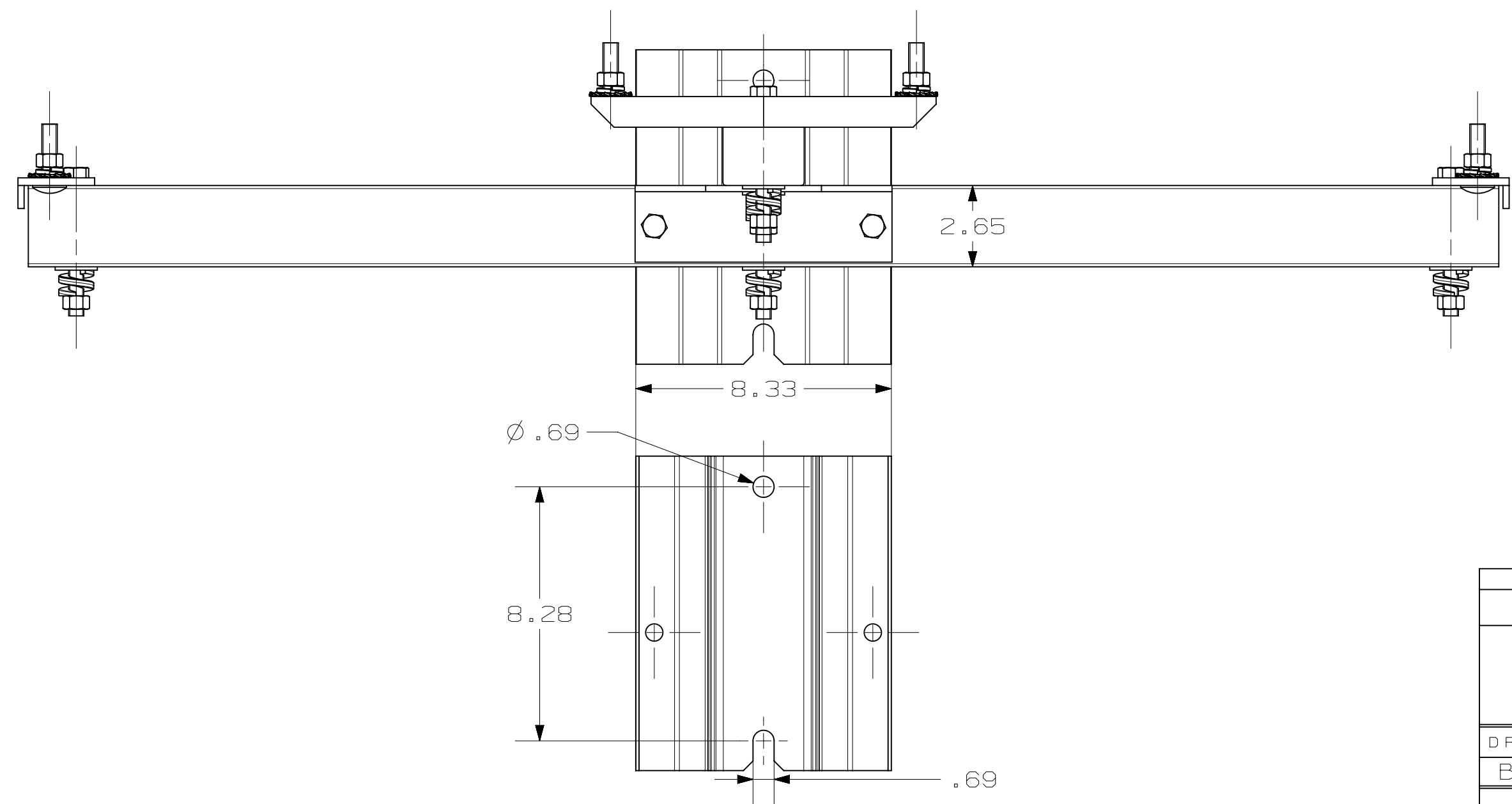


CATALOG NUMBER: CWT3CA48



- NOTES-
1. MATERIAL: APITONG WOOD WITH 6061-T6 ALUMINUM FITTINGS.
 2. ASSEMBLED COMPLTETE AS SHOWN.

1/2 X 2 CARRIAGE BOLT
W/ PUSH NUT RETAINER,
EXT. TOOTH LOCK WASHER,
SPRING LOCK WASHER,
AND HEX HEAD NUT.
(6 PLACES)



MOUNTING PLATE

LATEST EC NO:		REV.	DATE	CHANGED BY	RESP ENGINEER
-----		-	-----	-----	-----
DO NOT SCALE THIS DWG				THIRD ANGLE PROJECTION	
				ISO DUAL DIMENSIONS IN=INCH, MM=MILLIMETER	
DRN BY:	DATE	TITLE:			SIZE
BERGER	12/07/12	EQUIPMENT MOUNT, APITONG			C
				DWG NO: SACWT3CA48	

CONFIDENTIAL: THIS DRAWING AND ITS CONTENTS ARE CONFIDENTIAL AND THE EXCLUSIVE PROPERTY OF HUBBELL POWER SYSTEMS, INC. NO PUBLICATION, DISTRIBUTION OR COPIES MAY BE MADE WITHOUT WRITTEN CONSENT BY HUBBELL POWER SYSTEMS, INC. © 2012 HUBBELL POWER SYSTEMS. UNPUBLISHED. ALL RIGHTS RESERVED UNDER THE COPYRIGHT LAWS