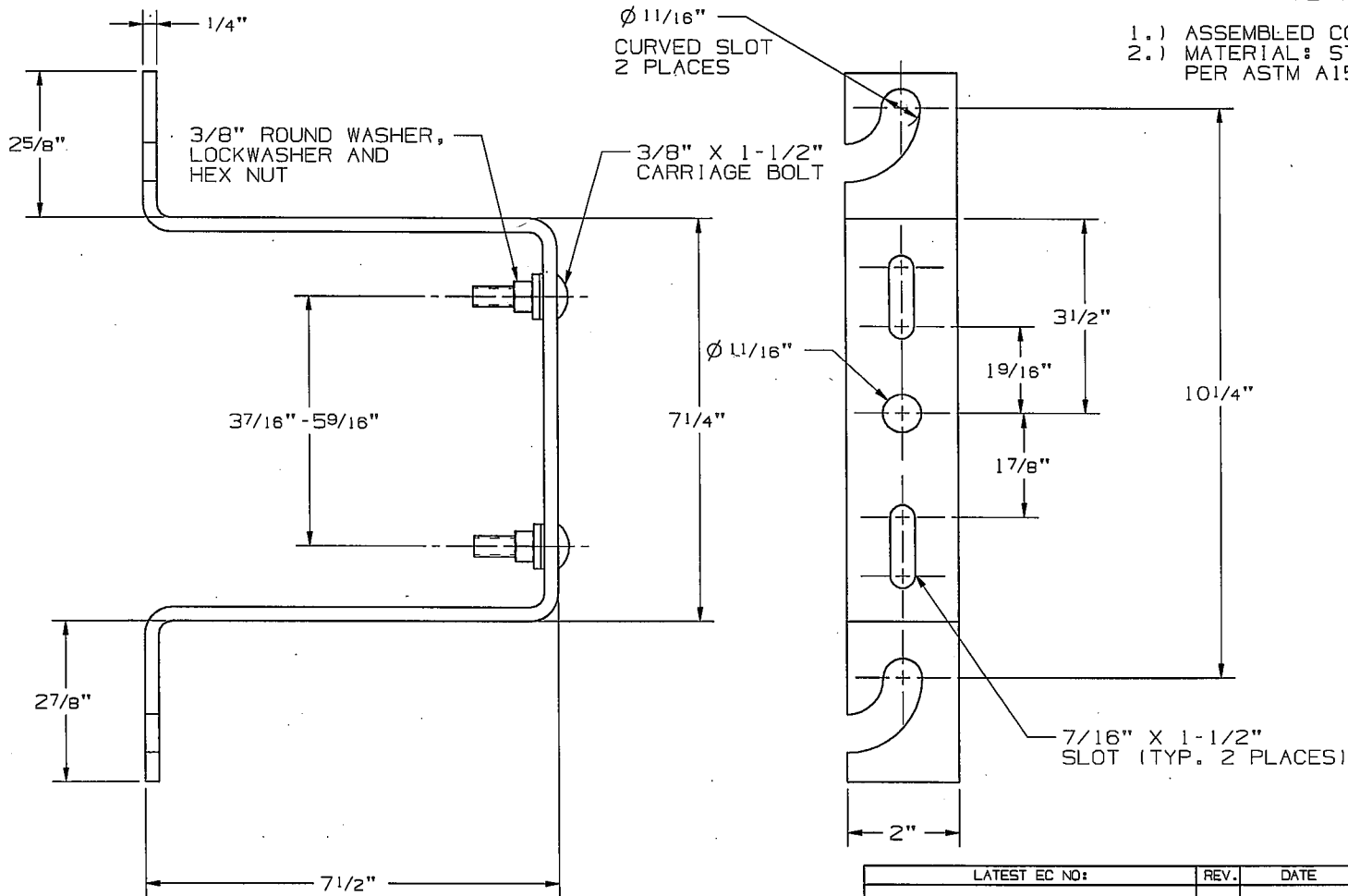


NOTES :

- 1.) ASSEMBLED COMPLETE AS SHOWN.
- 2.) MATERIAL: STEEL, HOT DIP GALVANIZED PER ASTM A153.



CATALOG NUMBER: DC149B1

LATEST EC NO:		REV.	DATE	CHANGED BY	RESP ENGINEER
---		-	-----	---	---
DO NOT SCALE THIS DWG THIRD ANGLE PROJECTION ISO DUAL DIMENSIONS IN=INCH, MM=MILLIMETER					
					DRN BY: JUL DATE: 11-09-09 TITLE: MOUNTING BRACKET SIZE: B
					DWG NO: SADC149B1 

CONFIDENTIAL: THIS DRAWING AND ITS CONTENTS ARE CONFIDENTIAL AND THE EXCLUSIVE PROPERTY OF HUBBELL / A.B. CHANCE COMPANY. NO PUBLICATION, DISTRIBUTION OR COPIES MAY BE MADE WITHOUT WRITTEN CONSENT BY HUBBELL / A.B. CHANCE COMPANY. © 2001 HUBBELL/A.B. CHANCE. UNPUBLISHED - ALL RIGHTS RESERVED UNDER THE COPYRIGHT LAWS