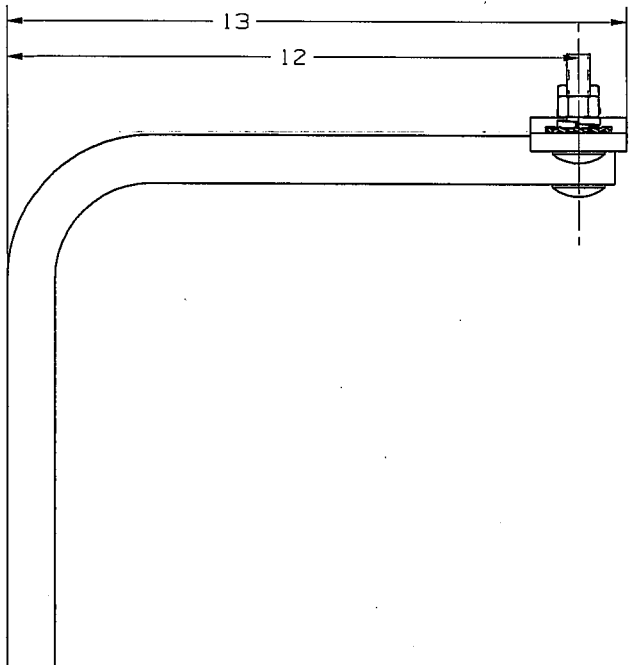
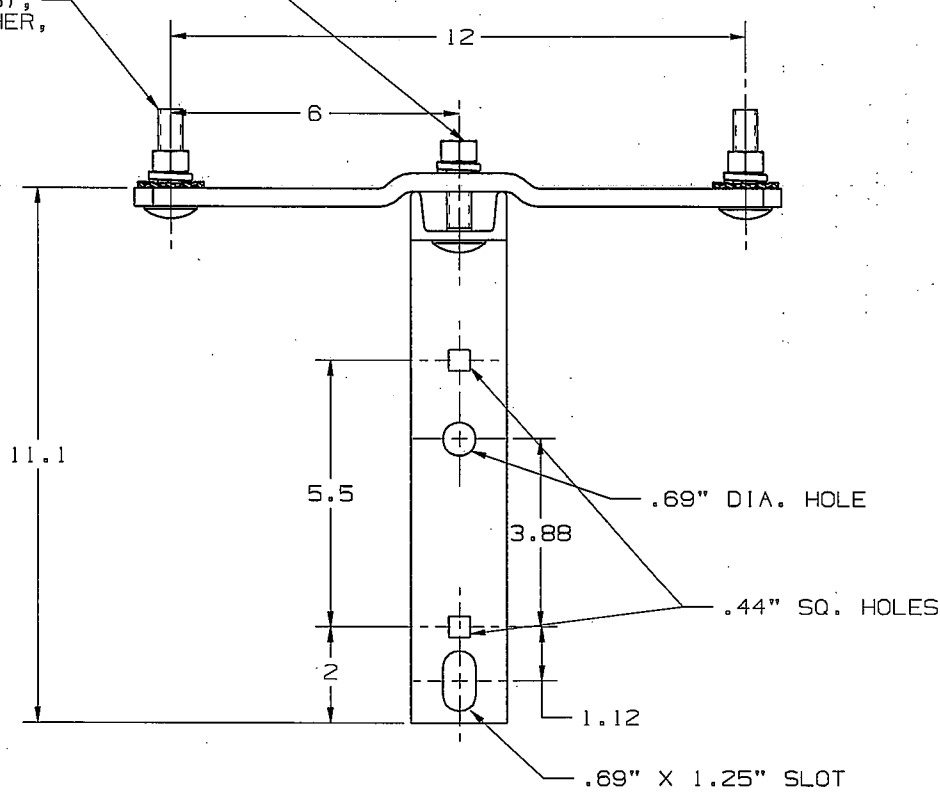


1/2" X 2" CARRIAGE BOLTS (HELD CAPTIVE IN HOLES), INT./EXT. TOOTH LOCKWASHER, SPLIT RING LOCKWASHER, AND HEX NUT. (2 PLACES)



1/2" X 2" CARRIAGE BOLT (HELD CAPTIVE IN HOLE), SPLIT RING LOCKWASHER, AND HEX NUT.



CATALOG NUMBER: DC14E1

NOTES:

- 1.) MATERIAL: STEEL, HOT DIP GALVANIZED PER ASTM A153.
- 2.) ASSEMBLED COMPLETE AS SHOWN.

LATEST EC NO: 31264		REV. A	DATE 06/19/09	CHANGED BY JUL	RESP ENGINEER JUL
				DO NOT SCALE THIS DWG	THIRD ANGLE PROJECTION
				ISO DUAL DIMENSIONS IN=INCH, MM=MILLIMETER	
DRN BY: JUL	DATE 05-27-09	TITLE: TT MOUNTING BRACKET			SIZE B
				DWG NO: SADC14E1	

CONFIDENTIAL: THIS DRAWING AND ITS CONTENTS ARE CONFIDENTIAL AND THE EXCLUSIVE PROPERTY OF HUBBELL / A.B. CHANCE COMPANY. NO PUBLICATION, DISTRIBUTION OR COPIES MAY BE MADE WITHOUT WRITTEN CONSENT BY HUBBELL / A.B. CHANCE COMPANY. © 2001 HUBBELL/A.B. CHANCE. UNPUBLISHED - ALL RIGHTS RESERVED UNDER THE COPYRIGHT LAWS