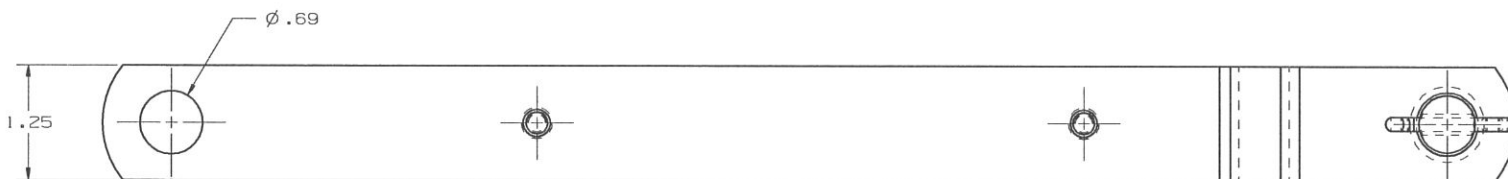
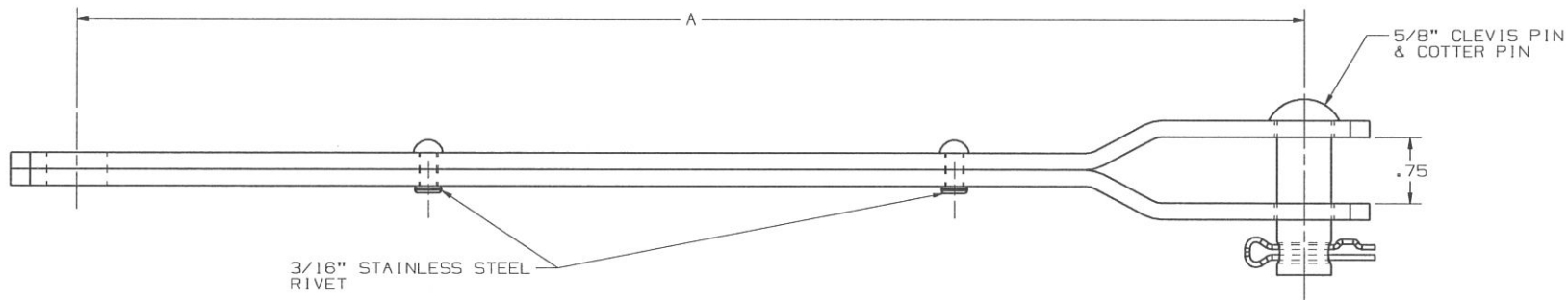


-NOTES-

1. MATERIAL: 3/16" X 1.25" FLAT STEEL
2. FINISH: HOT DIP GALVANIZE PER ASTM A153 (LATEST REVISION).



CATALOG NUMBER	“ A ”
DC33B3	10
DC33B1	14

LATEST EC NO: 41921	REV.: -	DATE -----	CHANGED BY -----	RESP ENGINEER -----
DRN BY: DATE WILSON 08/25/11			TITLE: EXTENSION LINK	
DO NOT SCALE THIS DWG		THIRD ANGLE PROJECTION		
1:50 DUAL DIMENSIONS IN-INCH, MM-MILLIMETER				
DWG NO: SADC33B1				SIZE C

CONFIDENTIAL: THIS DRAWING AND ITS CONTENTS ARE CONFIDENTIAL AND THE EXCLUSIVE PROPERTY OF HUBBELL. NO REPRODUCTION OR TRANSMISSION IN ANY FORM OR BY ANY MEANS, ELECTRONIC OR MECHANICAL, INCLUDING PHOTOCOPYING, RECORDING, OR BY ANY INFORMATION STORAGE AND RETRIEVAL SYSTEM, IS PERMITTED WITHOUT THE WRITTEN CONSENT OF HUBBELL. ALL RIGHTS RESERVED UNDER THE COPYRIGHT LAWS OF THE UNITED STATES OF AMERICA. © 2001 HUBBELL/A.B. CHANCE. UNPUBLISHED.