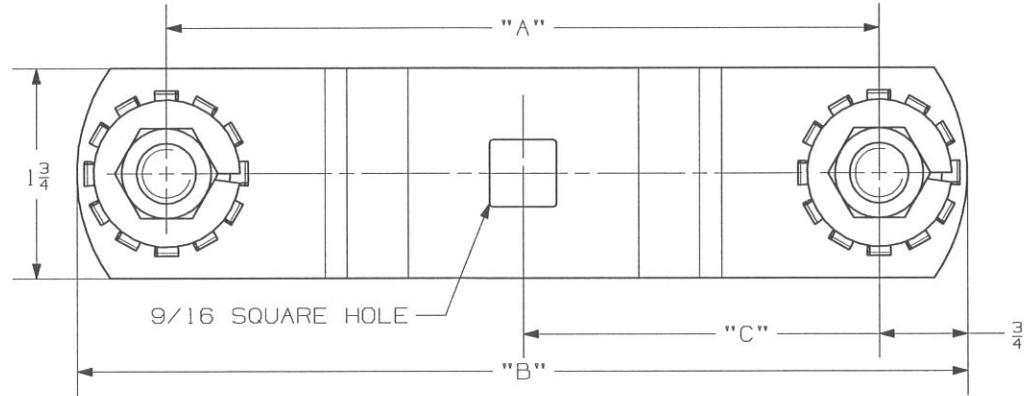


**-NOTES-**

1. MATERIAL: HOT ROLLED STEEL PER ASTM A663.
2. FINISH: HOT DIP GALVANIZE PER ASTM A153 (LATEST REV).

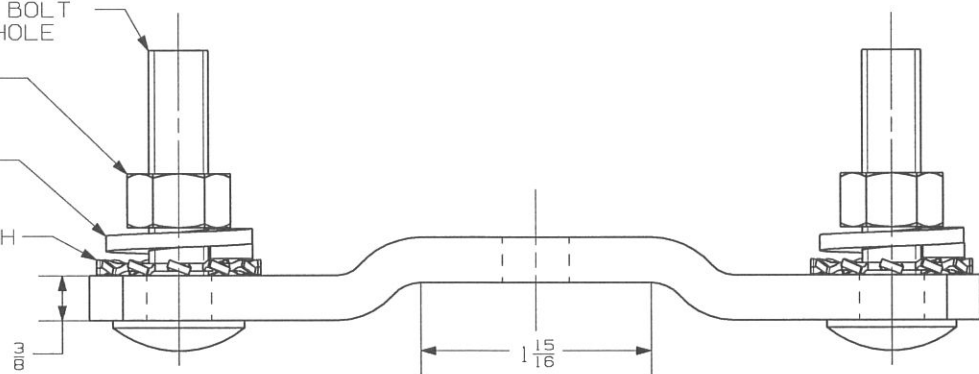


1/2" X 2" CARRIAGE BOLT  
HELD CAPTIVE IN HOLE

1/2" HEX NUT

1/2" SPRING  
LOCK WASHER

INT./EXT. TOOTH  
LOCK WASHER



CATALOG NUMBER	"A"	"B"	"C"
DC49B1	6	7-1/2	3-3/4
DC49B2	12	13-1/2	6-3/4

LATEST EC NO: 47325		REV. -	DATE -----	CHANGED BY ---	RESP ENGINEER ---
DRN BY: BERGER			DATE: 09-21-12	TITLE: MOUNTING STRAP ASSEMBLY	
DO NOT SCALE THIS DWG			THIRD ANGLE PROJECTION		SIZE
			150 DUAL DIMENSIONS IN=INCH, MM=MILLIMETER		B



**CHANCE**



DWG NO:  
SADC49B

CONFIDENTIAL: THIS DRAWING AND ITS CONTENTS ARE CONFIDENTIAL AND THE EXCLUSIVE PROPERTY OF HUBBELL POWER SYSTEMS, INC. NO PUBLICATION, DISTRIBUTION OR COPIES MAY BE MADE WITHOUT WRITTEN CONSENT BY HUBBELL POWER SYSTEMS, INC. © 2012 HUBBELL POWER SYSTEMS. UNPUBLISHED. ALL RIGHTS RESERVED UNDER THE COPYRIGHT LAWS