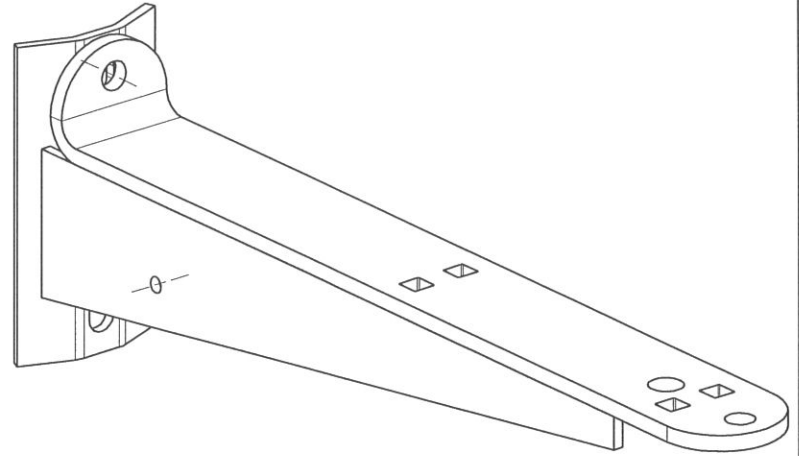
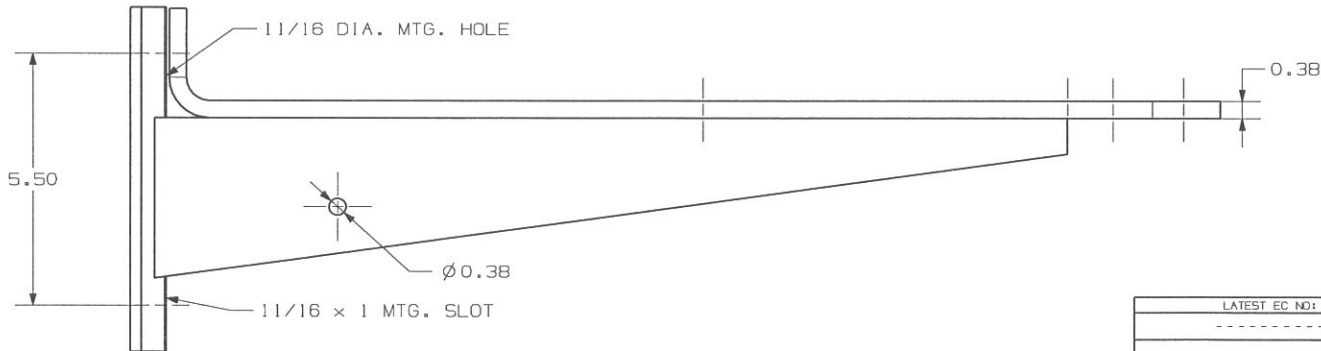
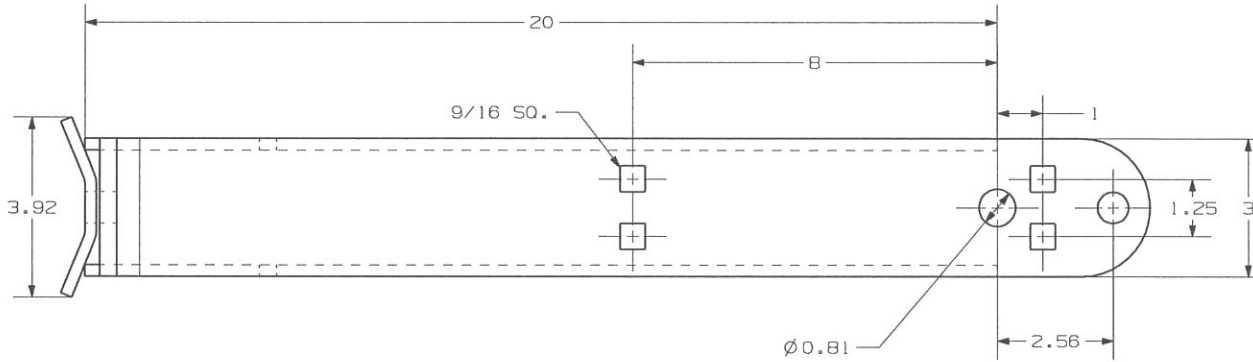


-NOTES-

1. MATERIAL: M1020 H. R. STEEL
2. FINISH: HOT DIP GALVANIZE PER ASTM A153 (LATEST REV).



3D VIEW



CATALOG NUMBER: DC76B4

LATEST EC NO:		REV.	DATE	CHANGED BY	RESP ENGINEER
-----		-	-----	-----	-----
				DO NOT SCALE THIS DWG	THIRD ANGLE PROJECTION
				1:50 DUAL DIMENSIONS IN-INCH, MM-MILLIMETER	
DRN BY:	DATE	TITLE:			SIZE
BERGER	09-08-12	BRACKET			C
				DWG NO: SADC76B	

CONFIDENTIAL: THIS DRAWING AND ITS CONTENTS ARE CONFIDENTIAL AND THE EXCLUSIVE PROPERTY OF HUBBELL POWER SYSTEMS, INCLUDING ANY PATENT RIGHTS. NO REPRODUCTION OR DISSEMINATION OF THIS DRAWING OR ITS CONTENTS IS PERMITTED WITHOUT THE WRITTEN CONSENT OF HUBBELL POWER SYSTEMS. UNPUBLISHED, ALL RIGHTS RESERVED UNDER THE COPYRIGHT LAWS OF 2012 HUBBELL POWER SYSTEMS.