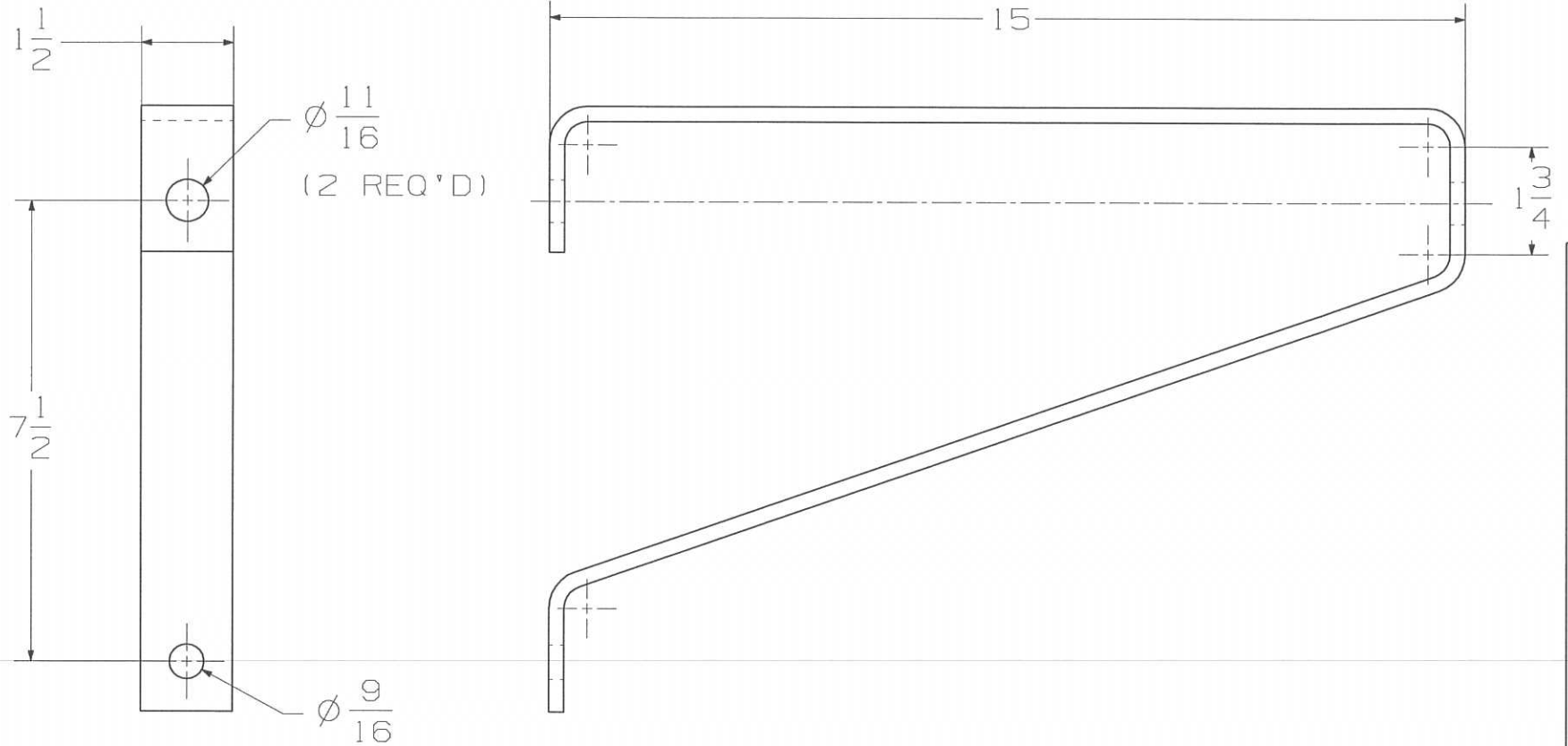


-NOTES-

1. MATERIAL: 1/4 X 1-1/2 X . . LG STEEL.
2. FINISH: HOT DIP GALVANIZE PER ASTM A153 (LATEST REVISION).



CATALOG NO. DJ33B1

LATEST EC NO:		REV.	DATE	CHANGED BY	RESP ENGINEER
-----		-	-----	-----	-----
DO NOT SCALE THIS DWG THIRD ANGLE PROJECTION 1:50 DUAL DIMENSIONS IN: INCH, MM=MILLIMETER					
					DRN BY: WILSON DATE: 01/07/11 TITLE: EXTENSION BRACKET SIZE: C
				DWG NO: SADJ33B1	

CONFIDENTIAL: THIS DRAWING AND ITS CONTENTS ARE CONFIDENTIAL AND THE EXCLUSIVE PROPERTY OF HUBBELL AND ITS COMPANIES. NO PUBLICATION, DISTRIBUTION OR REPRODUCTION OF THIS DRAWING OR ITS CONTENTS IS PERMITTED WITHOUT THE WRITTEN CONSENT OF HUBBELL AND ITS COMPANIES. © 2001 HUBBELL/A.B. CHANCE. UNPUBLISHED - ALL RIGHTS RESERVED UNDER THE COPYRIGHT LAWS OF THE UNITED STATES OF AMERICA.