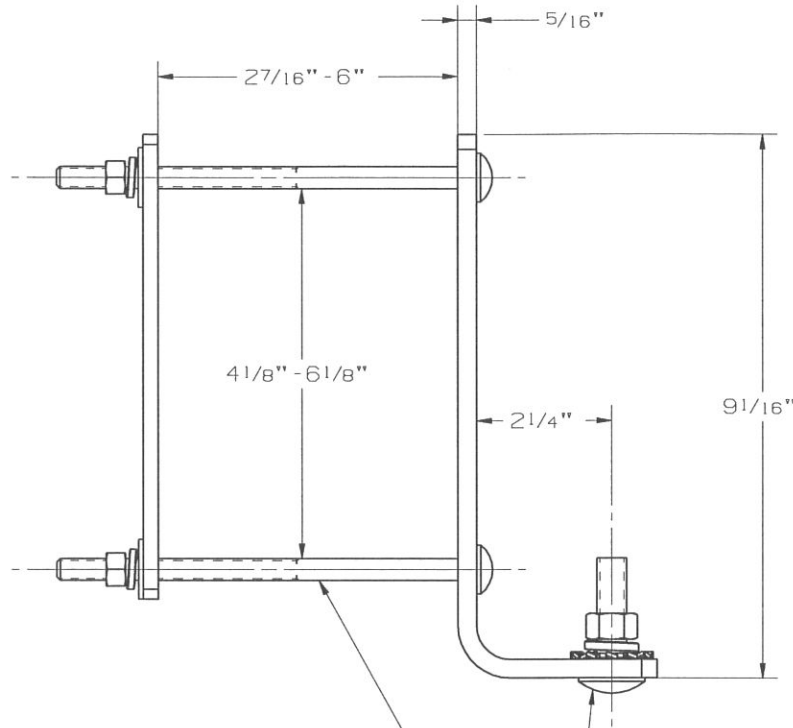


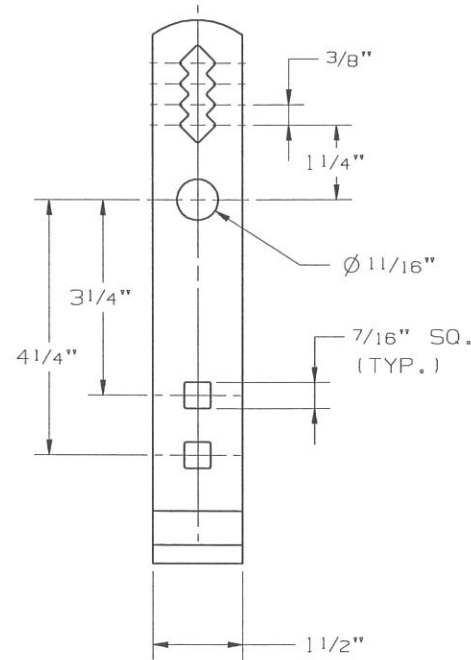
NOTE :

1.) MATERIAL: STEEL, HOT DIP GALVANIZED PER ASTM A153 (LATEST REVISION).



3/8-16UNC-2A X 7" CARRIAGE BOLTS WITH HEX NUTS, LOCKWASHERS, AND ROUND WASHERS.

1/2-13UNC-2A X 2" CARRIAGE BOLT WITH HEX NUT, LOCKWASHER, AND EXTERNAL TOOTH LOCKWASHER.



CATALOG NUMBER: DM36B3

LATEST EC NO:	REV.	DATE	CHANGED BY	RESP ENGINEER
---	-	11/13/09	JUL	JUL
			DO NOT SCALE THIS DWG	THIRD ANGLE PROJECTION
			ISO DUAL DIMENSIONS IN=INCH, MM=MILLIMETER	
DRN BY:	DATE	TITLE:		SIZE
JUL	11-13-09	CUTOUT/ARRESTER MOUNTING BRACKET		B
			DWG NO:	SADM36B3

CONFIDENTIAL: THIS DRAWING AND ITS CONTENTS ARE CONFIDENTIAL AND THE EXCLUSIVE PROPERTY OF HUBBELL / A.B. CHANCE COMPANY. NO PUBLICATION, DISTRIBUTION OR COPIES MAY BE MADE WITHOUT WRITTEN CONSENT BY HUBBELL / A.B. CHANCE COMPANY. © 2001 HUBBELL/A.B. CHANCE. UNPUBLISHED - ALL RIGHTS RESERVED UNDER THE COPYRIGHT LAWS