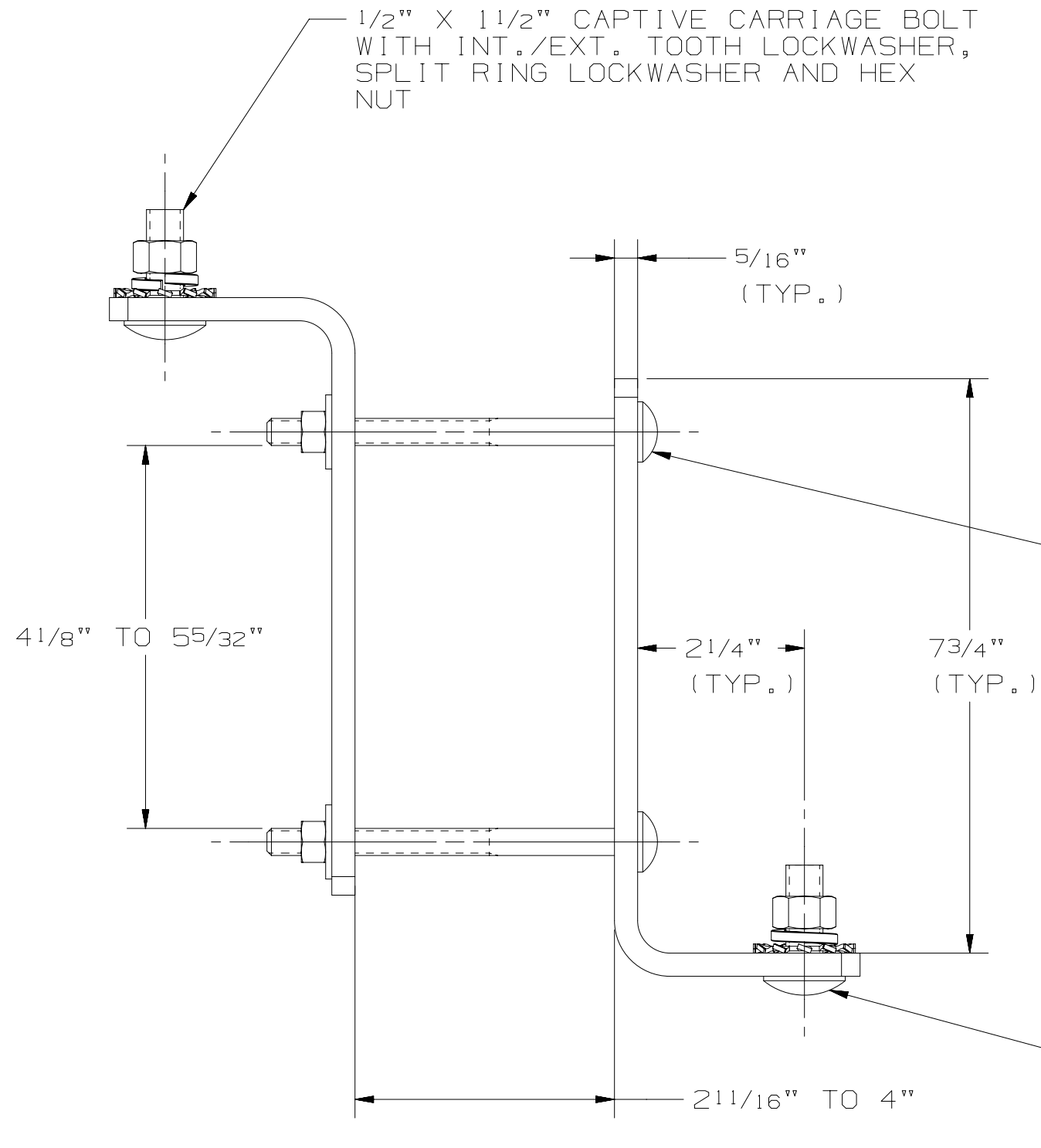
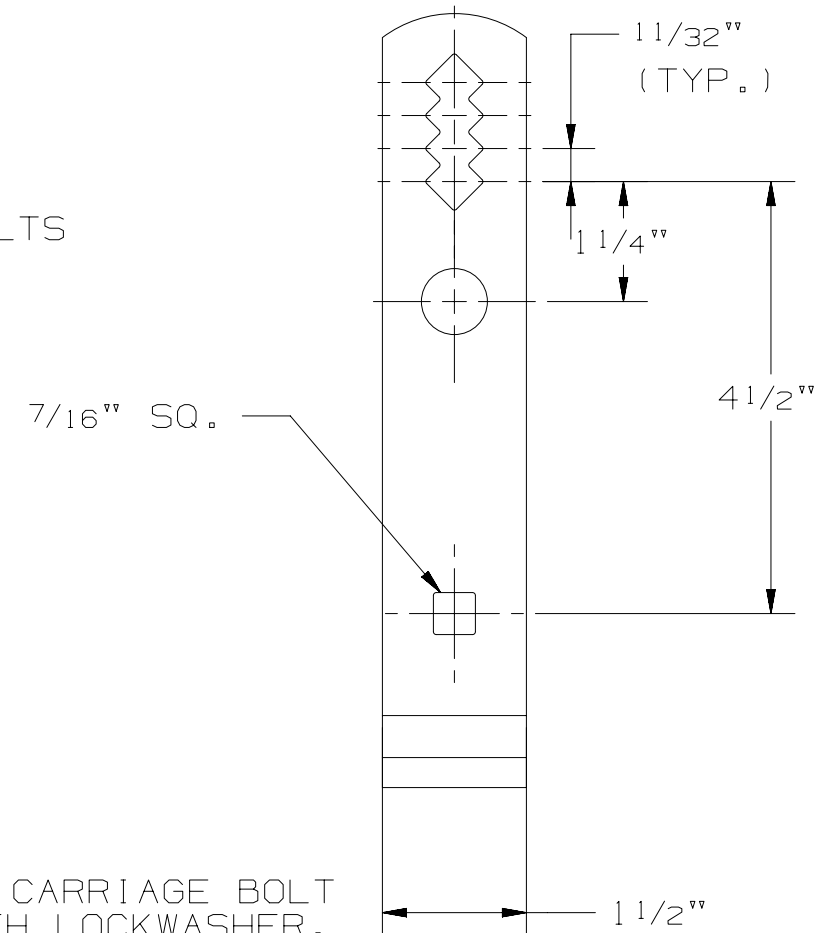


NOTES :

- 1.) MATERIAL: STEEL, HOT DIP GALVANIZED PER ASTM A153.
- 2.) ASSEMBLED COMPLETE AS SHOWN.



HOLE PATTERN OF STRAPS



CATALOG NUMBER : DM40B1

LATEST EC NO:		REV.	DATE	CHANGED BY	RESP ENGINEER
---		-	-----	---	---
				DO NOT SCALE THIS DWG	THIRD ANGLE PROJECTION
				ISO DUAL DIMENSIONS IN=INCH, MM=MILLIMETER	
DRN BY :	DATE	TITLE:			SIZE
JUL	09-21-10	BRACKET, CROSSARM ASSY.			B
				DWG NO: SADM40B1	

CONFIDENTIAL: THIS DRAWING AND ITS CONTENTS ARE CONFIDENTIAL AND THE EXCLUSIVE PROPERTY OF HUBBELL / A.B. CHANCE COMPANY. NO PUBLICATION, DISTRIBUTION OR COPIES MAY BE MADE WITHOUT WRITTEN CONSENT BY HUBBELL / A.B. CHANCE COMPANY. © 2001 HUBBELL/A.B. CHANCE. UNPUBLISHED - ALL RIGHTS RESERVED UNDER THE COPYRIGHT LAWS