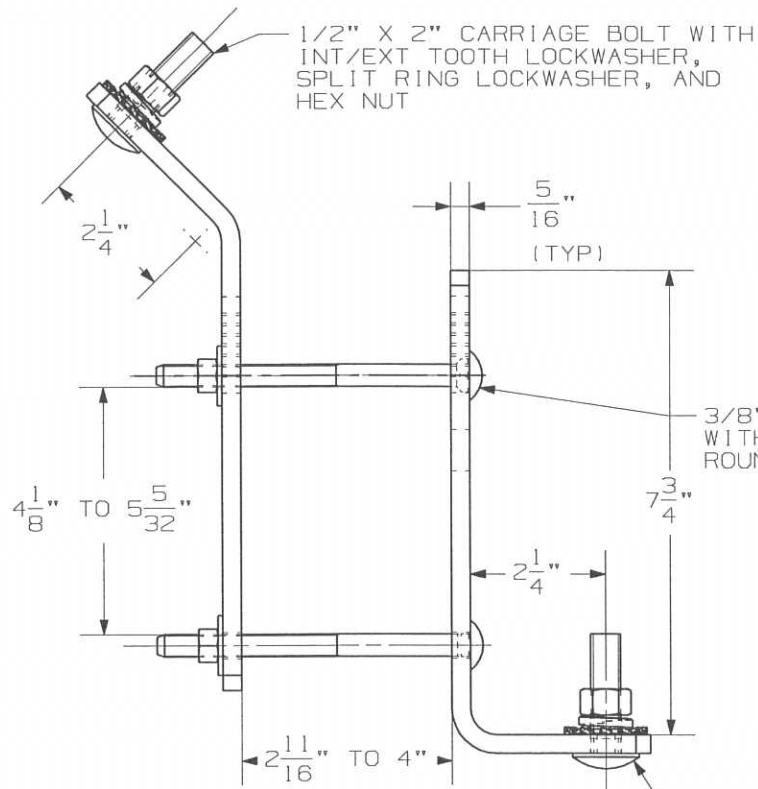
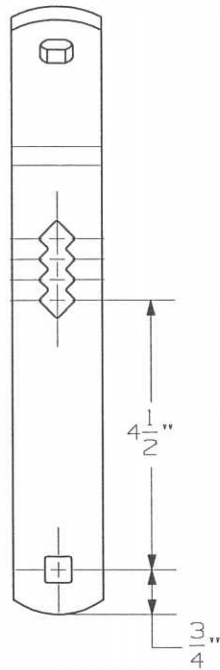
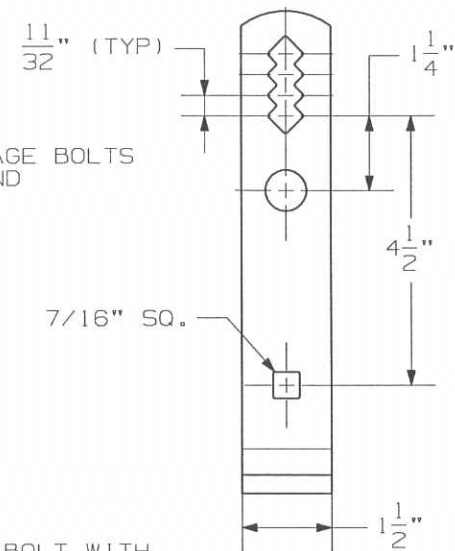


HOLE PATTERN OF BACK STRAP



HOLE PATTERN OF L-STRAP



1/2" X 2" CARRIAGE BOLT WITH INT/EXT TOOTH LOCKWASHER, SPLIT RING LOCKWASHER, AND HEX NUT

3/8" X 5" CARRIAGE BOLTS WITH HEX NUTS AND ROUND WASHERS

1/2" X 2" CARR. BOLT WITH INT/EXT TOOTH LOCKWASHER, SPLIT RING LOCKWASHER, AND HEX NUT

NOTES :

1. MAT'L: STEEL, HOT DIP GALVANIZED PER ASTM A153
2. ASSEMBLED COMPLETE AS SHOWN.

CATALOG NO. DM49B1

LATEST EC NO:		REV.	DATE	CHANGED BY	RESP ENGINEER
41786		-	-----	---	---
				DO NOT SCALE THIS DWG	THIRD ANGLE PROJECTION ISO DUAL DIMENSIONS IN-INCH, MM-MILLIMETER
DRN BY:	DATE	TITLE:		SIZE	
WILSON	08/18/11	MOUNTING BRACKET		B	
HUBBELL POWER SYSTEMS		CHANCE		CAE CAD CAM	DWG NO: SADM49B1

CONFIDENTIAL: THIS DRAWING AND ITS CONTENTS ARE CONFIDENTIAL AND THE EXCLUSIVE PROPERTY OF HUBBELL / A.B. CHANCE COMPANY. NO PUBLICATION, DISTRIBUTION OR COPIES MAY BE MADE WITHOUT WRITTEN CONSENT BY HUBBELL / A.B. CHANCE COMPANY. © 2001 HUBBELL/A.B. CHANCE. UNPUBLISHED - ALL RIGHTS RESERVED UNDER THE COPYRIGHT LAWS