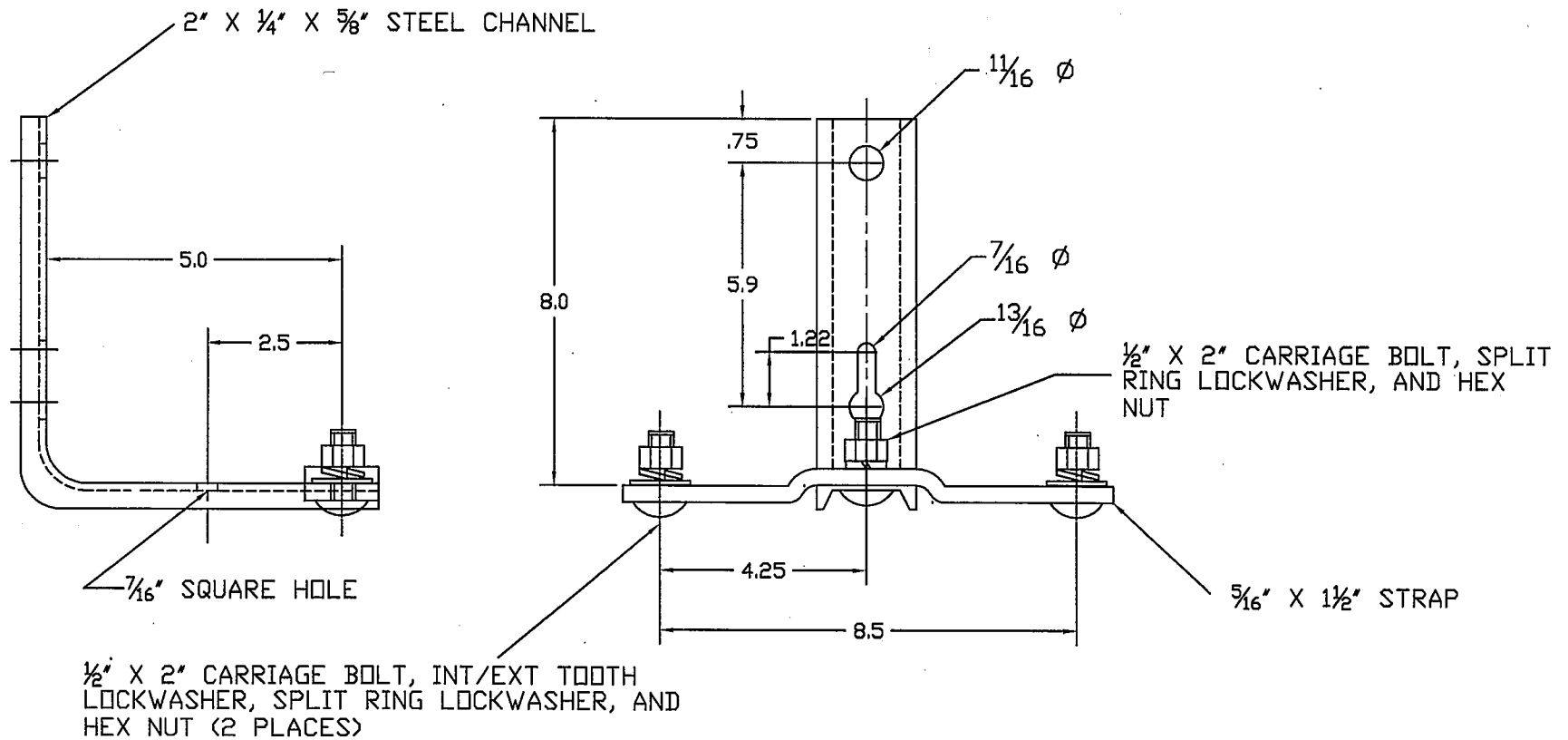


NOTES:

1.) ASSEMBLED COMPLETE AS SHOWN.



CATALOG NUMBER: DM62B1

CHANCE
TOLERANCE CHART

CONFIDENTIAL: THIS DRAWING AND ITS CONTENTS ARE CONFIDENTIAL AND THE EXCLUSIVE PROPERTY OF HUBBELL POWER SYSTEMS. NO PUBLICATION, DISTRIBUTION OR COPIES MAY BE MADE WITHOUT THE WRITTEN CONSENT OF HUBBELL POWER SYSTEMS. HUBBELL POWER SYSTEMS UNPUBLISHED. ALL RIGHTS RESERVED UNDER THE COPYRIGHT LAWS.



HUBBELL POWER SYSTEMS

TITLE "T" MOUNTING BRACKET ASSEMBLY

SIZE	DWG NO.	CAT / PART / ASSY NO.	REV
SB	SADM62B1	DM62B1	---
DO NOT SCALE THIS DRAWING	DRN BY LURKINS	DATE 09/30/08	SHEET 01 OF 01