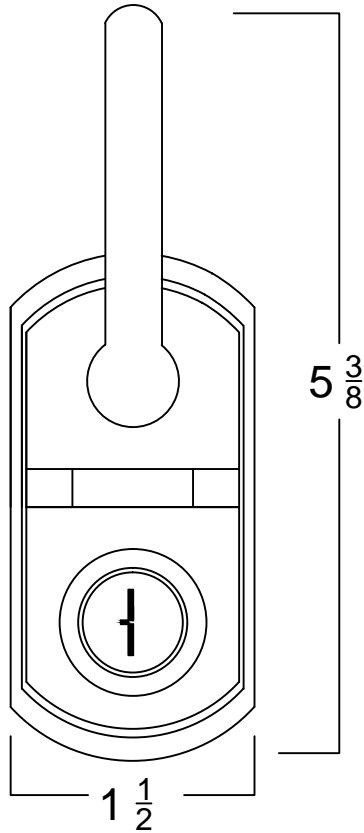
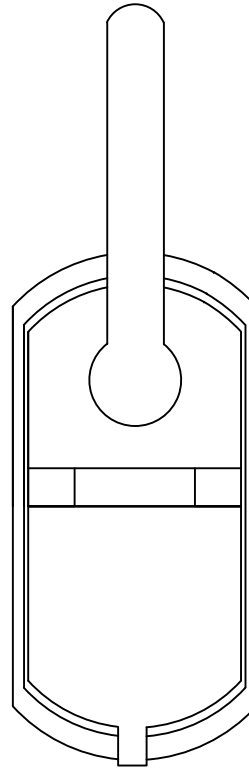


SHOWN WITHOUT ENDPLATE
TO SHOW LOCK



SHOWN WITH ENDPLATE



--NOTES--

1. DEPTH: $2 \frac{1}{4}$

2. YOKE DIAMETER : $\frac{5}{16}$

3. KEYED DIFFERENTLY IS AVAILABLE IN ONE SERIES OF SUCCESSIVE KEY NUMBERS

4. KEYED ALIKE ARE AVAILABLE WITH FOUR DIFFERENT SERIES OF KEY NUMBERS

5. TWO KEYS COME WITH PADLOCK

<p>CHANCE TOLERANCE CHART</p>		<p>HUBBELL POWER SYSTEMS</p>	
<p>CONFIDENTIAL: THIS DRAWING AND ITS CONTENTS ARE CONFIDENTIAL AND THE EXCLUSIVE PROPERTY OF HUBBELL POWER SYSTEMS. NO PUBLICATION, DISTRIBUTION OR COPIES MAY BE MADE WITHOUT THE WRITTEN CONSENT OF HUBBELL POWER SYSTEMS. HUBBELL POWER SYSTEMS UNPUBLISHED. ALL RIGHTS RESERVED UNDER THE COPYRIGHT LAWS.</p>			
<p>ICE-BREAKER PADLOCK</p>			
SIZE	DWG NO.	CAT / PART / ASSY NO.	REV
C	SADMPL61A1T	SEE CHART	A
DO NOT SCALE THIS DRAWING		DRN BY JMK	DATE 01/23/13
		SHEET 1 OF 1	

CATALOG NUMBER	DESCRIPTION	KEY CONFIGURATION	KEY ONLY CATALOG NO.	KEY ID NUMBER
DMPL61A1T	ICE BREAKER PAD LOCK, KEYED ALIKE	A MASTER KEY	DM21M902	5239
DMPL61A2T	ICE BREAKER PAD LOCK, KEYED ALIKE	B MASTER KEY	DM21M903	2382
DMPL61A3T	ICE BREAKER PAD LOCK, KEYED ALIKE	C MASTER KEY	DM21M904	X-634
DMPL61A4T	ICE BREAKER PAD LOCK, KEYED ALIKE	D MASTER KEY	DM21M905	X-649
DMPL61D1T	ICE BREAKER PAD LOCK, KEYED DIFFERENTLY	INDIVIDUALLY KEYED	-	-