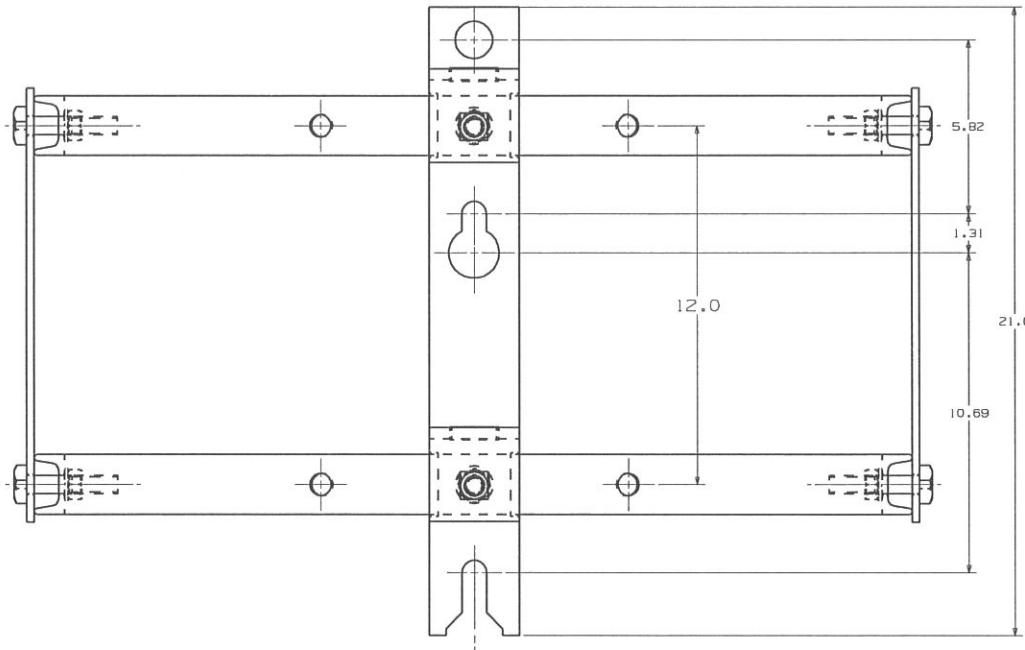
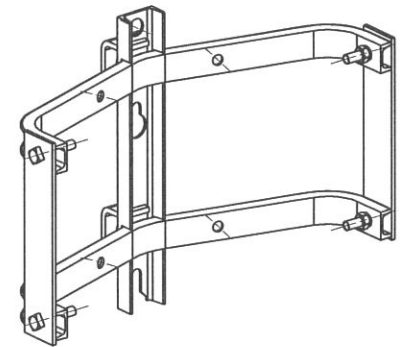


NOTES:

- 1.) GALVANIZE STEEL PER ASTM A123 (LATEST REVISION).
- 2.) FOR CATALOG NUMBER DT6C1:
PACK HARDWARE IN A BOX OR BAG,
TAPE SECURELY TO BRACKET FOR SHIPMENT
- 3.) FOR CATALOG NUMBER DT6C4:
HARDWARE TO BE ASSEMBLED COMPLETE
AS SHOWN IN DRAWING.



CATALOG NUMBERS: DT6C1 & DT6C4
(SEE NOTES)



LATEST EC NO:		REV.	DATE	CHANGED BY	RESP. ENGINEER
DRN BY: DATE		TITLE:			
BERGER 9-21-12		CLUSTER MOUNTING BRACKET			
DO NOT SCALE THIS DWG		THIRD ANGLE PROJECTION		150 DUAL DIMENSIONS IN INCH, MILLIMETER	

THESE DRAWINGS AND ITS CONTENTS ARE UNCLASSIFIED AND THE EXCLUSIVE PROPERTY OF HUBBELL POWER SYSTEMS, INC. NO PART, IN WHOLE OR IN PART, MAY BE REPRODUCED OR TRANSMITTED IN ANY FORM OR BY ANY MEANS, ELECTRONIC OR MECHANICAL, INCLUDING PHOTOCOPYING, RECORDING, OR BY ANY INFORMATION STORAGE AND RETRIEVAL SYSTEMS. HUBBELL POWER SYSTEMS, INC. © 2012. HUBBELL POWER SYSTEMS, INC. ALL RIGHTS RESERVED. HUBBELL IS A REGISTERED TRADEMARK OF HUBBELL POWER SYSTEMS, INC.