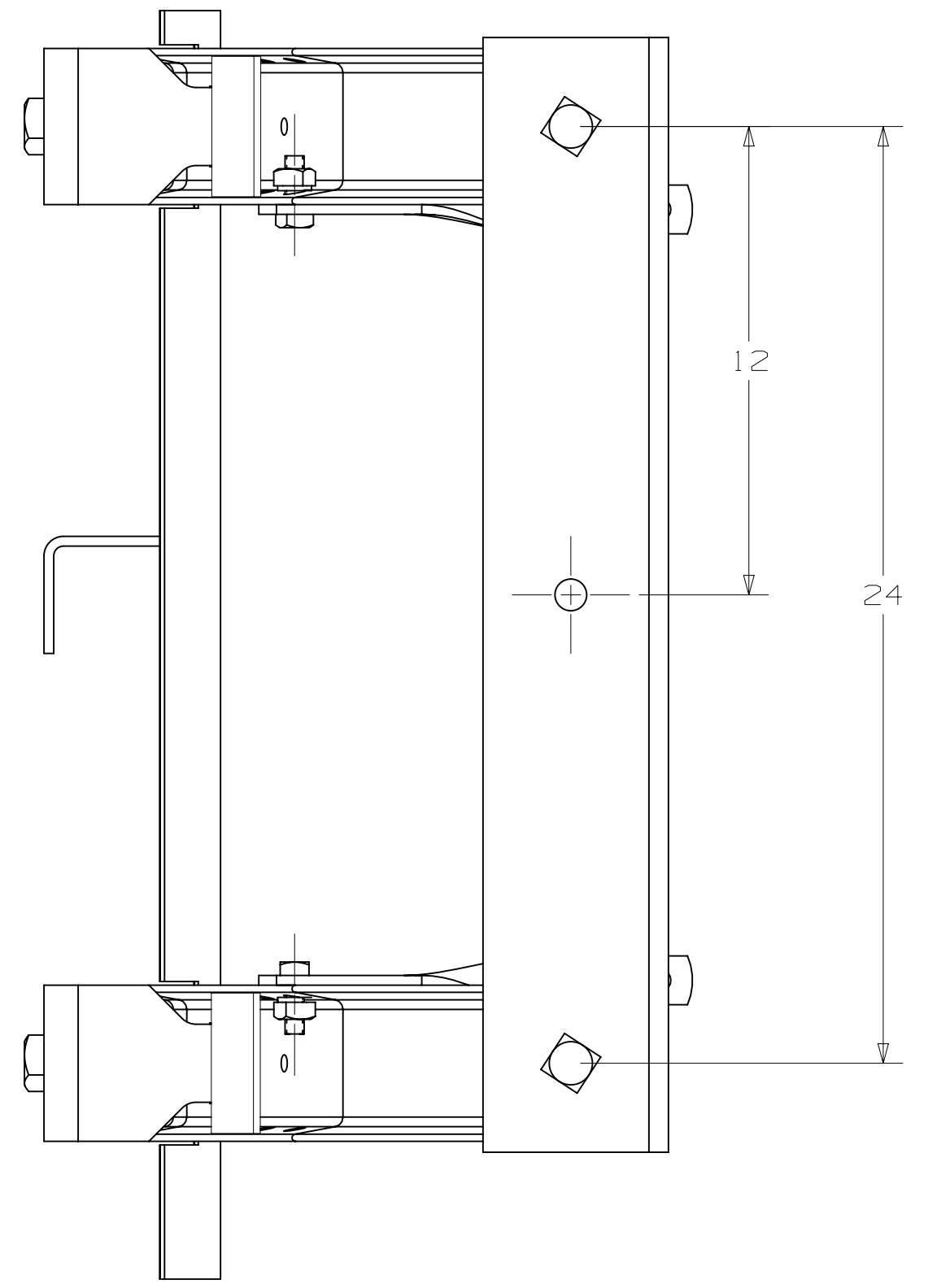
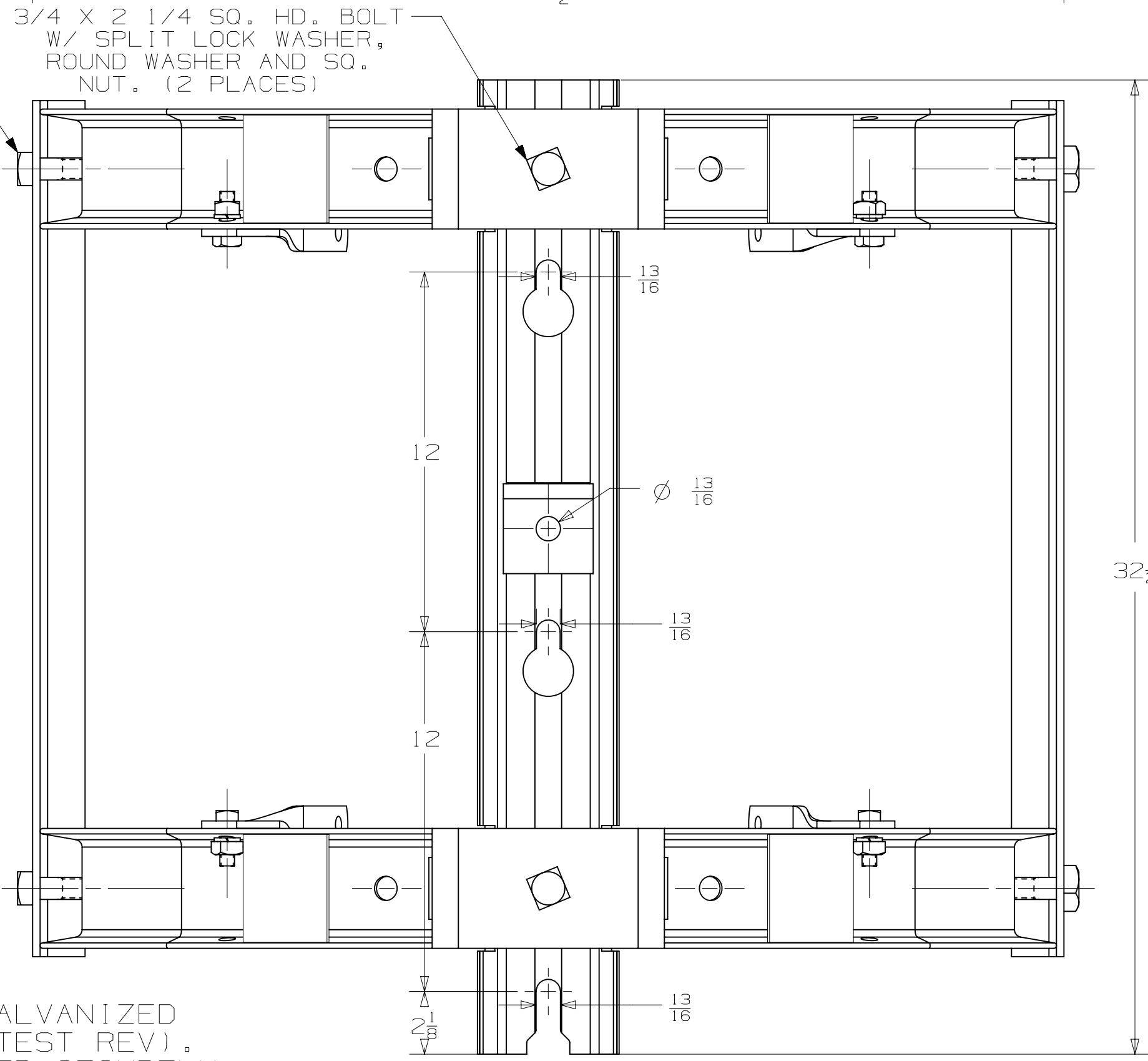


3/4 X 4 SQ. HD. BOLT W/ SPLIT LOCK WASHER, ROUND WASHER AND SQ. NUT. (4 PLACES)



-NOTES-

1. MATERIAL: STEEL.
2. FINISH: HOT DIP GALVANIZED PER ASTM A153 (LATEST REV).
3. HARDWARE PACK TAPED SECURELY TO FRAME FOR SHIPMENT.

HARDWARE PACK	
AMOUNT	DESCRIPTION
2	5/8 X 3 1/2 SQ. HD. MACHINE BOLT
3	5/8 X 2 SQ. HD. MACHINE BOLT
5	5/8 HEX HEAD NUT
5	5/8 SPRING LOCK WASHER

CATALOG NUMBER: DT8C5

LATEST EC NO:		REV.	DATE	CHANGED BY	RESP ENGINEER
		--			
DO NOT SCALE THIS DWG				THIRD ANGLE PROJECTION	
				ISO DUAL DIMENSIONS IN=INCH, MM=MILLIMETER	
DRN BY:	DATE	TITLE:			SIZE
BERGER	12/06/12	CLUSTER MTG. BRACKET			C
				DWG NO: SADT8C5	

CONFIDENTIAL: THIS DRAWING AND ITS CONTENTS ARE CONFIDENTIAL AND THE EXCLUSIVE PROPERTY OF HUBBELL POWER SYSTEMS, INC. NO PUBLICATION, DISTRIBUTION OR COPIES MAY BE MADE WITHOUT WRITTEN CONSENT BY HUBBELL POWER SYSTEMS, INC. © 2012 HUBBELL POWER SYSTEMS. UNPUBLISHED. ALL RIGHTS RESERVED UNDER THE COPYRIGHT LAWS