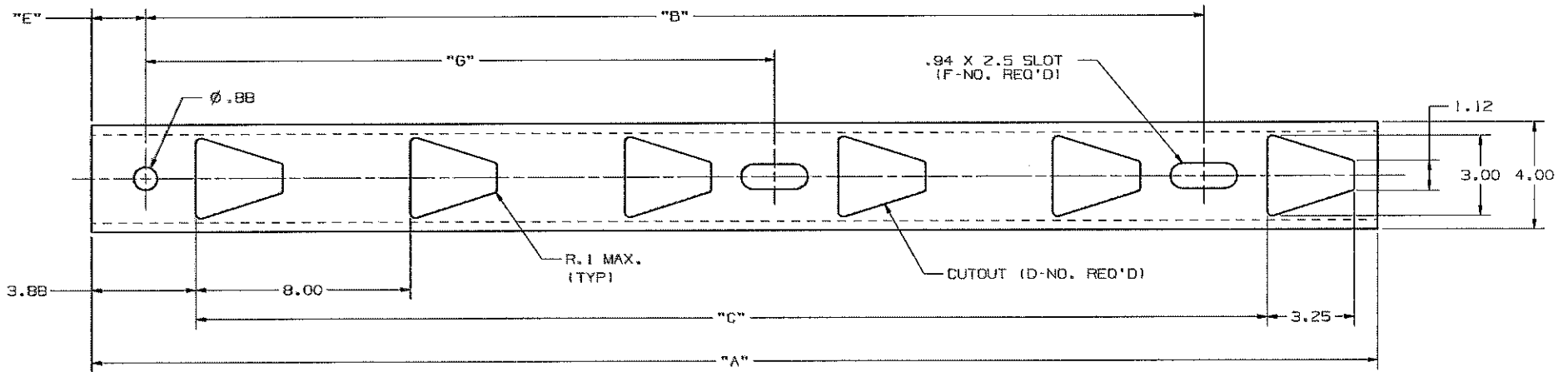


3D VIEW

"G"	"F"	"E"	"D"	"C"	"B"	"A"	CATALOG NO.	PART NAME	MAT'L OR DESCRIPTION
-	-	2	1	-	-	8	DU10B1	UNDERGROUND RACK	CHANNEL - SEE NOTES
-	1	2	2	8	7-1/2	16	DU10B2	UNDERGROUND RACK	CHANNEL - SEE NOTES
-	1	2	3	16	15-1/2	24	DU10B3	UNDERGROUND RACK	CHANNEL - SEE NOTES
-	1	1-1/2	4	24	24	32	DU10B4	UNDERGROUND RACK	CHANNEL - SEE NOTES
23-1/2	2	2	6	40	39-1/2	48	DU10B6	UNDERGROUND RACK	CHANNEL - SEE NOTES



- NOTES -

1. MATERIAL: 4" X 5.4# STEEL CHANNEL  
MATERIAL GRADE: ASTM A-36.
2. FINISH: HOT DIP GALV. PER ASTM A153  
(LATEST REVISION).

THIS DRAWING AND ITS CONTENTS ARE CONFIDENTIAL AND THE EXCLUSIVE PROPERTY OF HUBBELL POWER SYSTEMS, INC. NO REPRODUCTION OR COPIES MAY BE MADE WITHOUT WRITTEN CONSENT BY HUBBELL POWER SYSTEMS, INC. © 2012 HUBBELL POWER SYSTEMS. UNPUBLISHED. ALL RIGHTS RESERVED UNDER THE COPYRIGHT LAWS

LATEST EC NO:		REV.	DATE	CHANGED BY	RESP ENGINEER
-----		-	-----	-----	-----
DO NOT SCALE THIS DWG THIRD ANGLE PROJECTION ISO DUAL DIMENSIONS IN: INCH, MM=MILLIMETER					
DRN BY:	DATE	TITLE:			SIZE
BERGER	09-04-12	UNDERGROUND RACK			C
		DWG NO:		SADU10B	