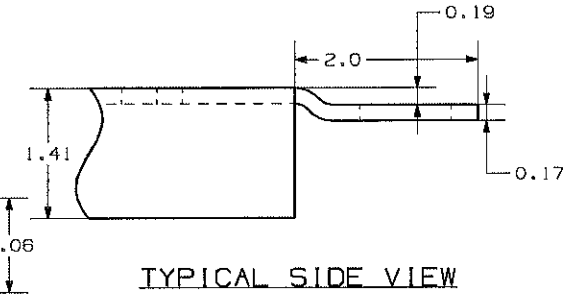
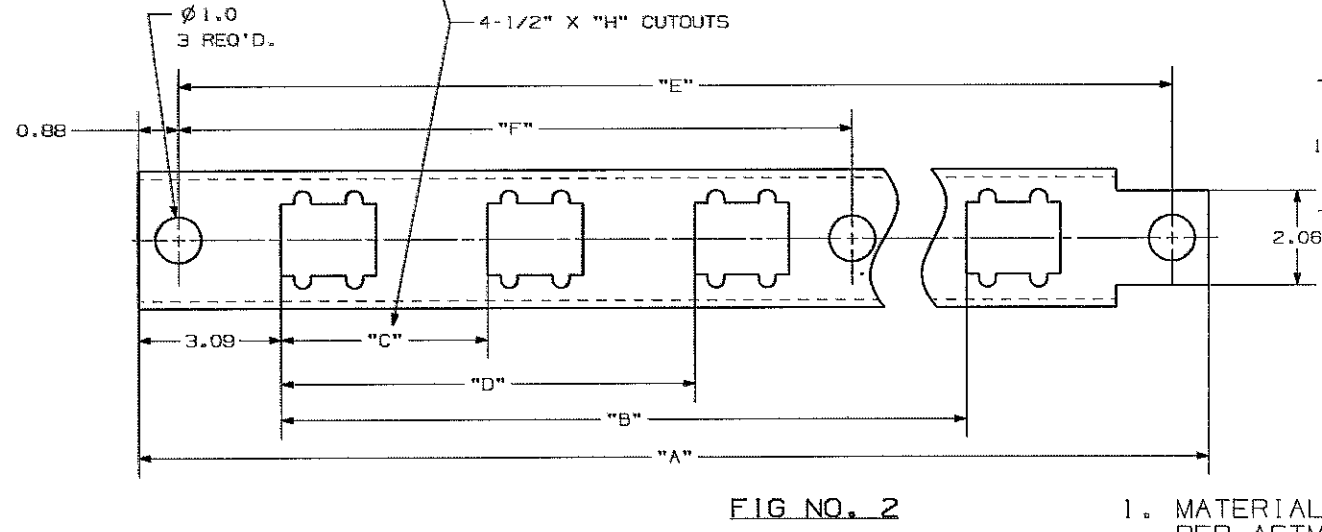
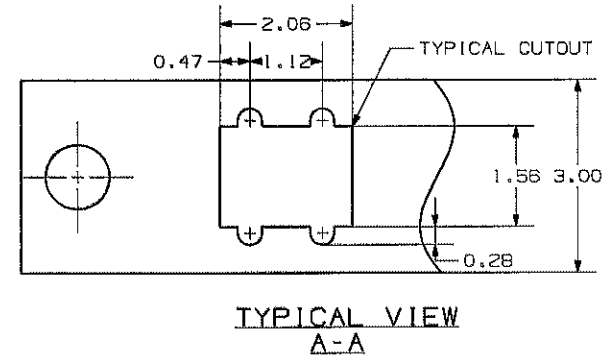
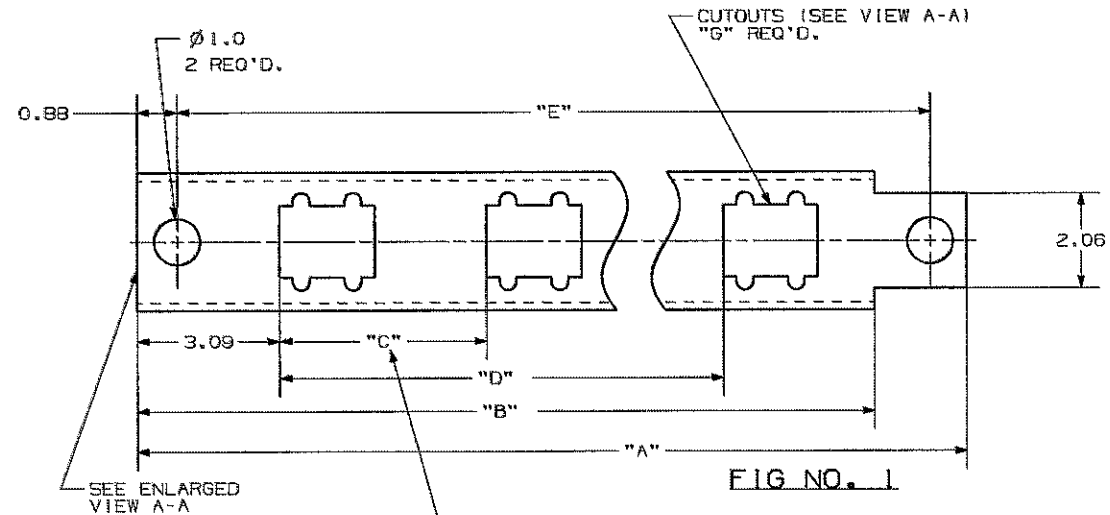


3D VIEW



-NOTES-

1. MATERIAL: 3"-4.1# X LG STEEL CHANNEL PER ASTM A36 (LATEST REVISION).
2. FINISH: HOT DIP GALVANIZE PER ASTM A153 (LATEST REVISION).

CAT. NO.	"A"	"B"	"C"	"D"	"E"	"F"	"G"	"H"	FIG. NO.
DU13B7	35-1/4	33-3/8	4-1/2	27	33-1/2	14-5/8	7	6	2
DU13B6	30-3/4	28-7/8	4-1/2	22-1/2	29	N/A	6	5	1
DU13B5	26-1/4	24-3/8	4-1/2	18	24-1/2	N/A	5	4	1
DU13B4	21-3/4	19-7/8	4-1/2	13-1/2	20	N/A	4	3	1
DU13B3	17-1/4	15-3/8	4-1/2	9	15-1/2	N/A	3	2	1
DU13B1	8-1/4	6-3/8	N/A	N/A	6-1/2	N/A	1	-	1

LATEST EC NO:		REV.	DATE	CHANGED BY	RESP ENGINEER
-----		-	-----	-----	-----
DO NOT SCALE THIS DWG			THIRD ANGLE PROJECTION		
ISO QUAL DIMENSIONS			IN-INCH, MM-MILLIMETER		
DRN BY:	DATE	TITLE:			SIZE
BERGER	09-04-12	UNDERGROUND RACK, CHANNEL TYPE			C
		DWS NO1		SADU13B	

CONFIDENTIAL: THIS DRAWING AND ITS CONTENTS ARE CONFIDENTIAL AND THE EXCLUSIVE PROPERTY OF MULLER POWER SYSTEMS, INC. NO REPLICATION, DISTRIBUTION OR DISSEMINATION OF THIS DRAWING OR ITS CONTENTS IS PERMITTED WITHOUT THE WRITTEN CONSENT OF MULLER POWER SYSTEMS. UNPUBLISHED. ALL RIGHTS RESERVED UNDER THE COPYRIGHT LAWS. © 2012 MULLER POWER SYSTEMS.