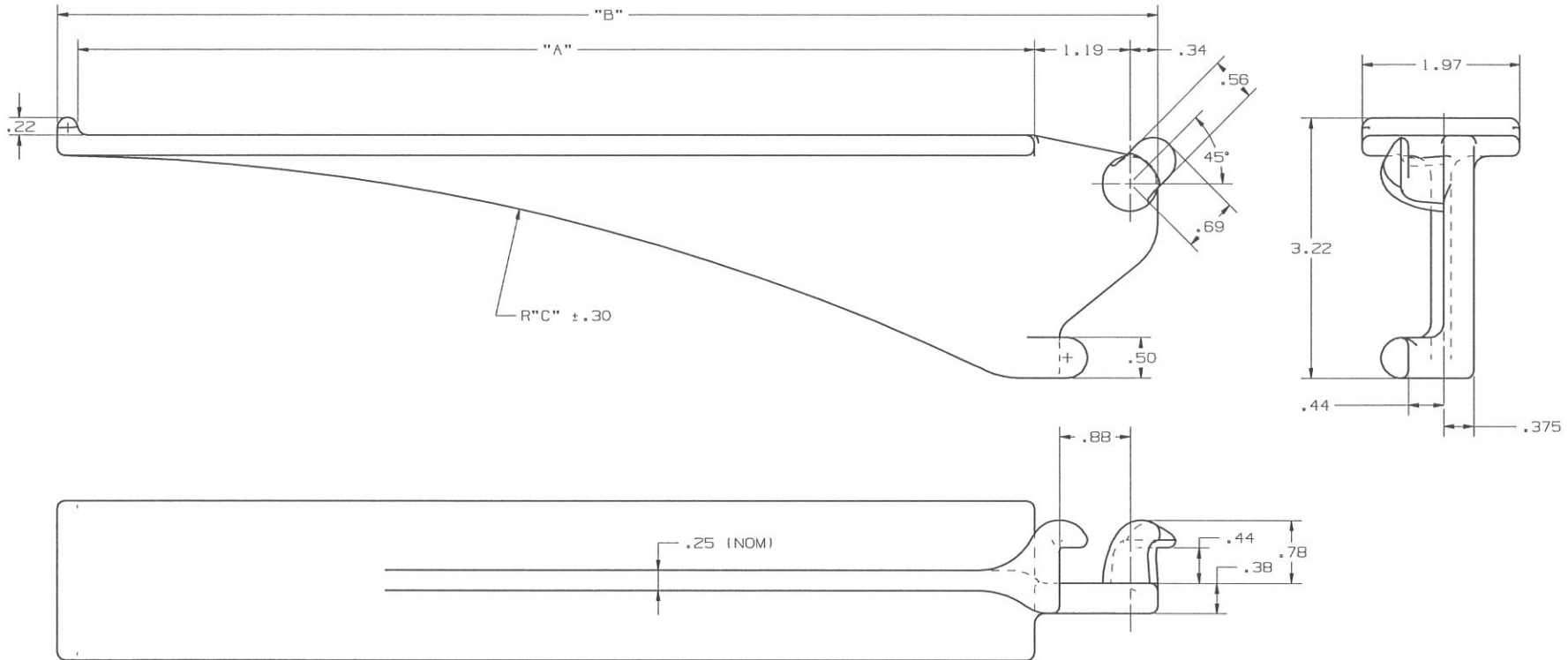


3D VIEW

-NOTES-

1. MATERIAL: DUCTILE IRON PER ASTM A536 GRADE 80-55-06.
ALT. MATERIAL: DUCTILE IRON PER ASTM A536 GRADE 65-45-12.
2. FINISH: HOT DIP GALVANIZE PER ASTM A153 (LATEST REV).



PART NUMBER	"C"	"B"	"A"
DUI51	4	5.66	3.88
DUI52	21	9.66	7.88
DUI53	27.63	13.66	11.88
DUI54	72	16.66	14.88

LATEST EC NO:		REV.	DATE	CHANGED BY	RESP ENGINEER
		-	09-08-12		
DRN BY: DATE TITLE BERGER 09-08-12 ARM FOR BAR TYPE CABLE RACK				DO NOT SCALE THIS DWG	THIRD ANGLE PROJECTION ISO DUAL DIMENSIONS IN: INCH, MM: MILLIMETER
DWG NO: SADUIS					SIZE C

CONFIDENTIAL: THIS DRAWING AND ITS CONTENTS ARE CONFIDENTIAL AND THE EXCLUSIVE PROPERTY OF HUBBELL POWER SYSTEMS, INC. NO REPRODUCTION OR TRANSMISSION OF THIS DRAWING OR ITS CONTENTS MAY BE MADE WITHOUT WRITTEN CONSENT BY HUBBELL POWER SYSTEMS, INC. © 2012 HUBBELL POWER SYSTEMS. UNPUBLISHED. ALL RIGHTS RESERVED UNDER THE COPYRIGHT LAWS