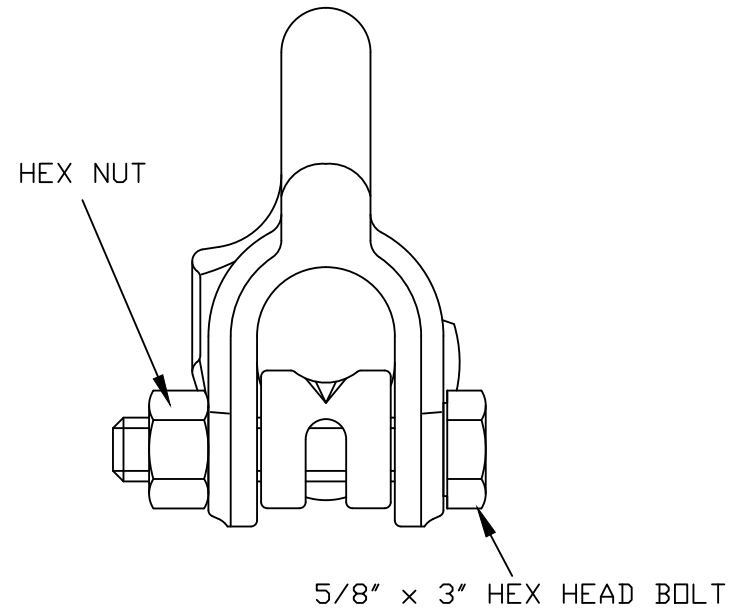
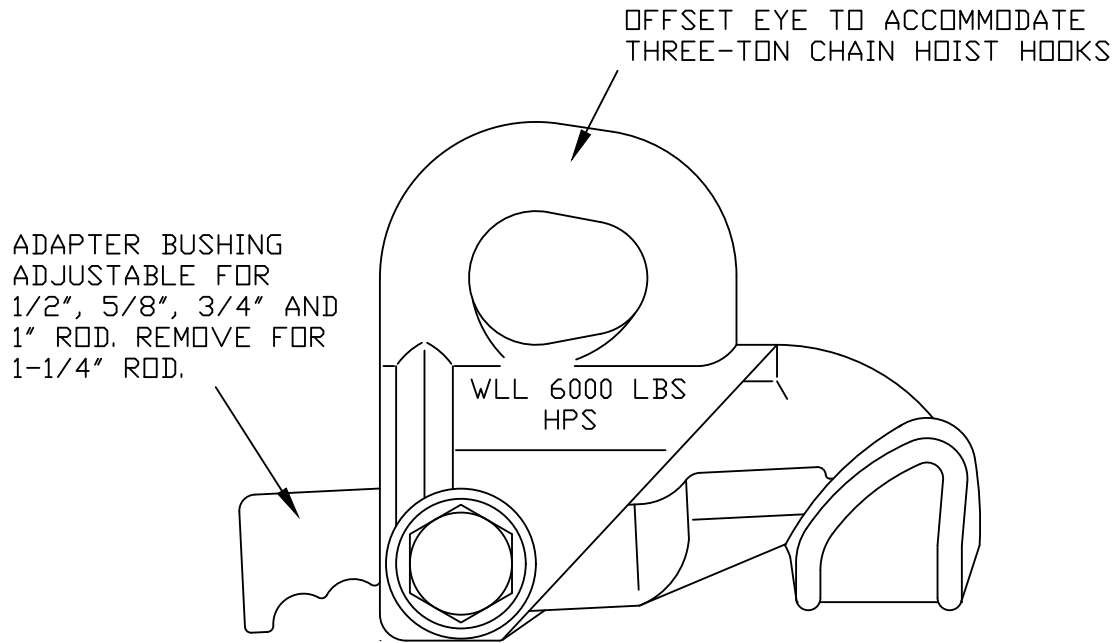



NOTES

1. HOT DIP GALVANIZED PER ASTM A153 LATEST REVISION.
2. MINIMUM ULTIMATE STRENGTH OF 18,000 LB AND WORKING LOAD LIMIT OF 6,000 LB WHEN PULLED THROUGH EYE.



CATALOG NO: E96

CHANCE*		 HUBBELL® POWER SYSTEMS <small>POWER SYSTEMS, INC.</small>		
<small>CONFIDENTIAL: THIS DRAWING AND ITS CONTENTS ARE CONFIDENTIAL AND THE EXCLUSIVE PROPERTY OF HUBBELL POWER SYSTEMS. NO PUBLICATION, DISTRIBUTION OR COPIES MAY BE MADE WITHOUT THE WRITTEN CONSENT OF HUBBELL POWER SYSTEMS. HUBBELL POWER SYSTEMS UNPUBLISHED ALL RIGHTS RESERVED UNDER THE COPYRIGHT LAWS.</small>		<small>TITLE</small> PULLING EYE ASSEMBLY		
		<small>SIZE</small> B	<small>DWG NO.</small> SAE96	<small>CAT / PART / ASSY NO.</small> E96
<small>DO NOT SCALE THIS DRAWING</small>		<small>DRN BY</small> JMT	<small>DATE</small> 1-9-19	<small>SHEET 1 OF 1</small>