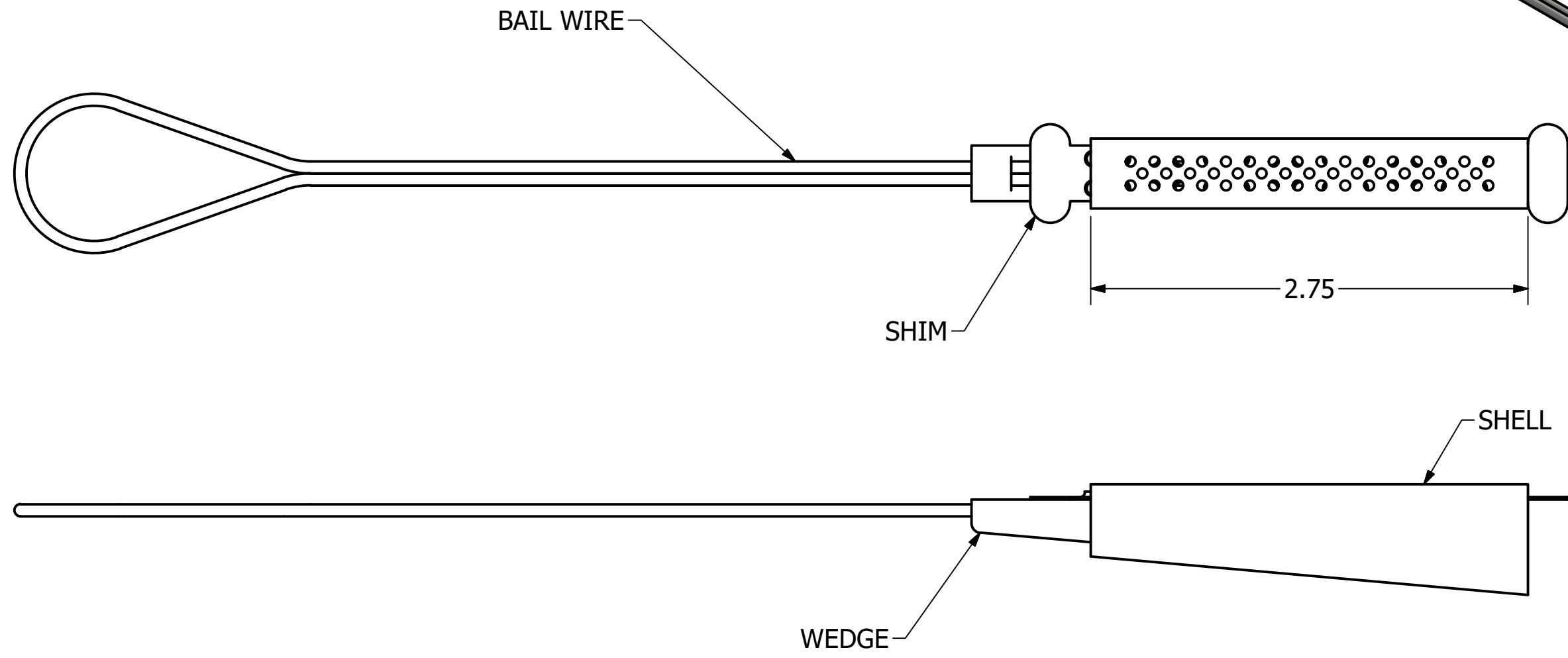
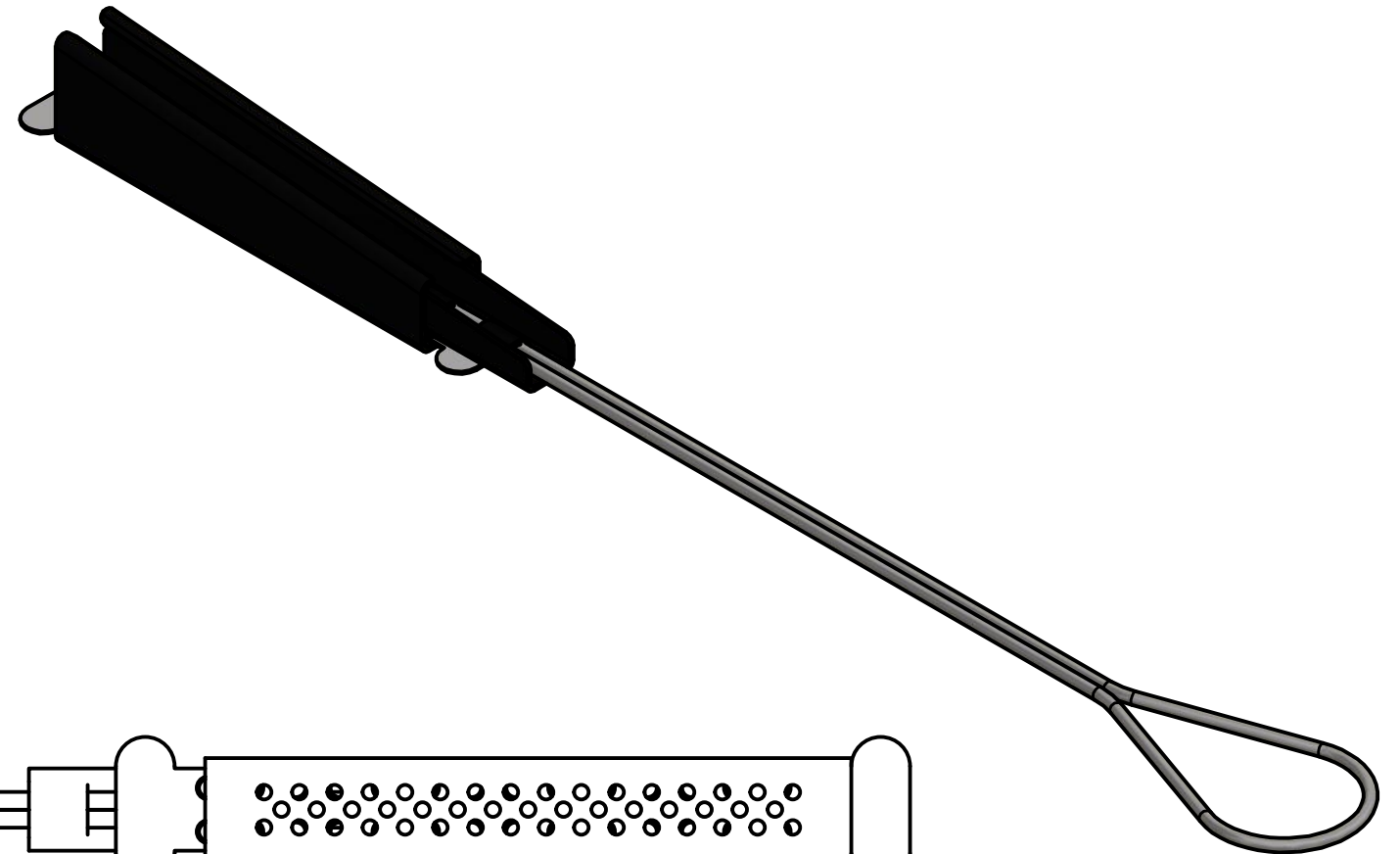



-NOTES-

1. WEDGE & SHELL MATERIAL: BLACK POWDER COATED STAINLESS STEEL.  
BAIL WIRE AND SHIM MATERIAL: NON-COATED STAINLESS STEEL.
2. USED TO ATTACH FLAT FIBER DROP CABLE FROM POLE TO THE HOME/BUILDING.
3. ASSEMBLED COMPLETE AS SHOWN.
4. DROP CLAMP INCLUDES SERRATED SHIM.



**CATALOG NUMBER: FFD12SS**

<b>CHANCE</b> <sup>®</sup>		 <b>HUBBELL POWER SYSTEMS, INC.</b>	
		<small>POWER SYSTEMS, INC.</small>	
<small>CONFIDENTIAL: THIS DRAWING AND ITS CONTENTS ARE CONFIDENTIAL AND THE EXCLUSIVE PROPERTY OF HUBBELL POWER SYSTEMS. NO PUBLICATION, DISTRIBUTION, OR COPIES MAY BE MADE WITHOUT THE WRITTEN CONSENT OF HUBBELL POWER SYSTEMS. HUBBELL POWER SYSTEMS UNPUBLISHED ALL RIGHTS RESERVED UNDER THE COPYRIGHT LAWS.</small>		<b>TITLE</b> DROP CLAMP FLAT FIBER	
SIZE <b>B</b>	CAT / PART / ASSY NO. <b>FFD12SS</b>	DWG NO. <b>SAFFD12SS</b>	REV <b>A</b>
DO NOT SCALE THIS DRAWING	DRN BY HOEK	DATE 6/17/19	SHEET 1 OF 1