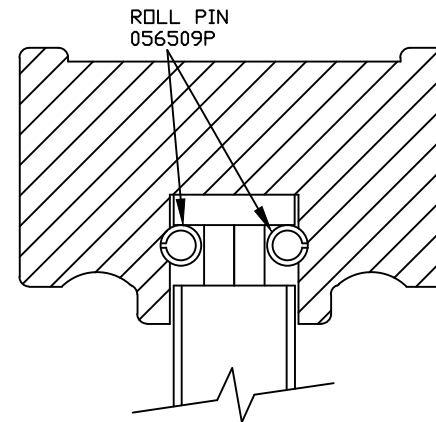
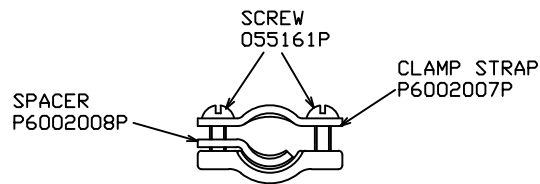
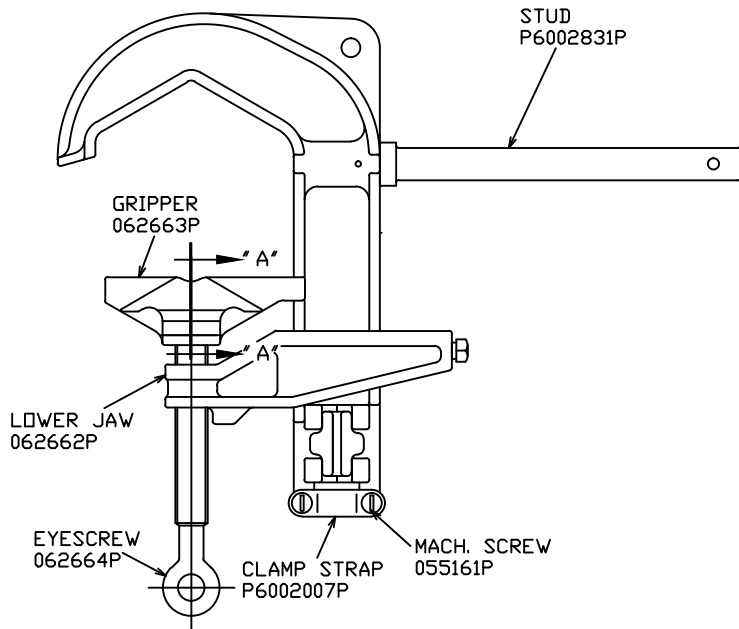


PART OR ASSY NO	DESCRIPTION
G3369	BUS BAR CLAMP
T600-0819	BUS BAR CLAMP
V600-0645	BUS BAR CLAMP



SECTION "A-A"

G3369, T600-0819, V600-0645

ELECTRICAL RATINGS

CONTINUOUS CURRENT (AMPS)	400
FAULT CURRENT - 15 CYCLES (AMPS)	43,000
FAULT CURRENT - 30 CYCLES (AMPS)	30,000

MECHANICAL RATINGS

RECOMMENDED TORQUE (IN.-LB.)	300
MAIN LINE RANGE - MAX.	4"X4" SQUARE 4.5" O.D. BUS
MAIN LINE RANGE - MIN.	4/0 STR. Cu. (.500")
JUMPER RANGE - MAX.	4/0 GRD. CABLE WITH PLAIN PLUG
JUMPER RANGE - MIN.	#2 GRD. CABLE WITH PLAIN PLUG
WEIGHT	5.24 lb. / 2.4 kg.
ASTM DESIGNATION	TYPE I - CLASS A - GRADE 5 -

		HUBBELL POWER SYSTEMS		
		CLAMP, BUS BAR		
<small>CONFIDENTIAL: THIS DRAWING AND ITS CONTENTS ARE CONFIDENTIAL AND THE EXCLUSIVE PROPERTY OF HUBBELL POWER SYSTEMS. NO PUBLICATION, DISTRIBUTION OR COPIES MAY BE MADE WITHOUT THE WRITTEN CONSENT OF HUBBELL POWER SYSTEMS. HUBBELL POWER SYSTEMS UNPUBLISHED ALL RIGHTS RESERVED UNDER THE COPYRIGHT LAWS.</small>		<small>TITLE</small> SIZE   DWG NO. C   SAG3369	<small>CAT / PART / ASSY NO.</small> SEE CHART	<small>REV</small> --
<small>DO NOT SCALE THIS DRAWING</small>		<small>DRN BY</small> RAM	<small>DATE</small> 3/19/14	<small>SHEET</small> 1 OF 1