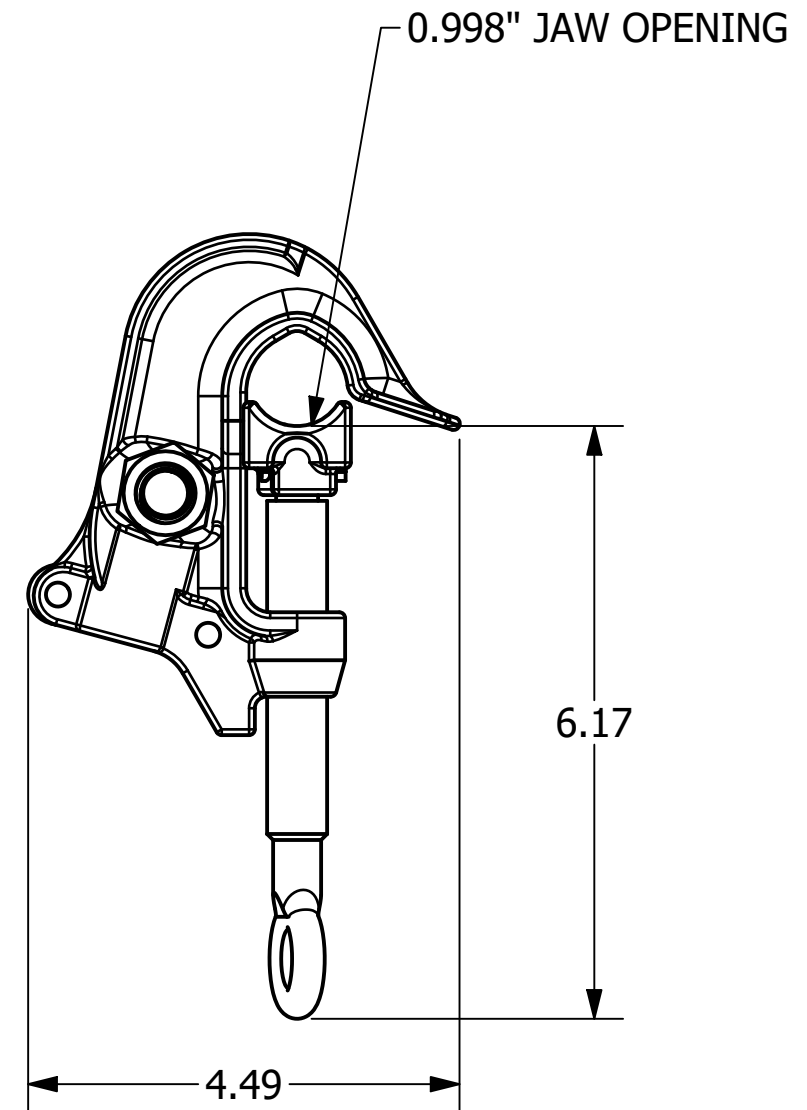
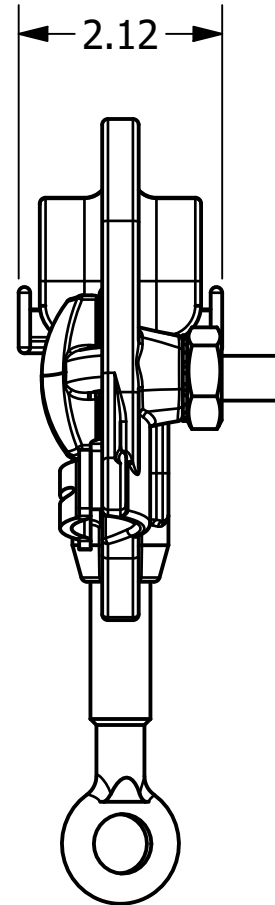
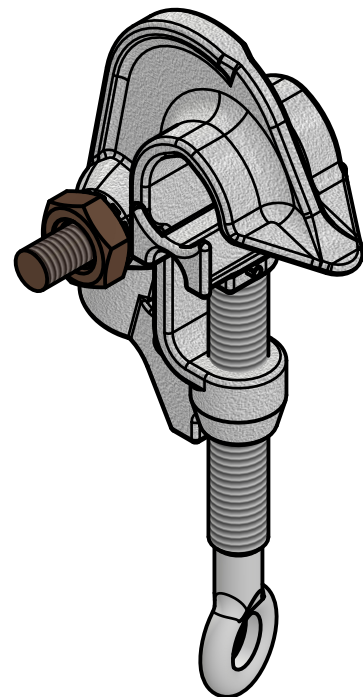


-NOTES-

1. C-TYPE GROUND CLAMP CONTINUOUS CURRENT 350A.
2. FAULT CURRENT 27KA FOR 15 CYCLES OR 20KA FOR 30 CYCLES.
3. MAIN LINE RANGE MAX. 636 KCMIL ACSR.
4. MAIN LINE RANGE MIN. #8 SOL. CU.
5. JUMPER RANGE MAX. 2/O GRD. CABLE.
6. JUMPER RANGE MIN. #2 GRD. CABLE.
7. ASTM TYPE I, CLASS A, GRADE 3.
8. WEIGHT: 1 LB.



<h1>CHANCE[®]</h1>	HUBBELL POWER SYSTEMS, INC.			
	<small>POWER SYSTEMS, INC.</small> TITLE <h2>C-TYPE GROUND CLAMP</h2>			
CONFIDENTIAL: THIS DRAWING AND ITS CONTENTS ARE CONFIDENTIAL AND THE EXCLUSIVE PROPERTY OF HUBBELL POWER SYSTEMS. NO PUBLICATION, DISTRIBUTION, OR COPIES MAY BE MADE WITHOUT THE WRITTEN CONSENT OF HUBBELL POWER SYSTEMS. HUBBELL POWER SYSTEMS UNPUBLISHED ALL RIGHTS RESERVED UNDER THE COPYRIGHT LAWS.	SIZE	CAT / PART / ASSY NO.	DWG NO.	REV
	B	G3403	SAG3403	B
DO NOT SCALE THIS DRAWING	DRN BY IMJ	DATE 10/10/2023	SHEET 1 OF 1	