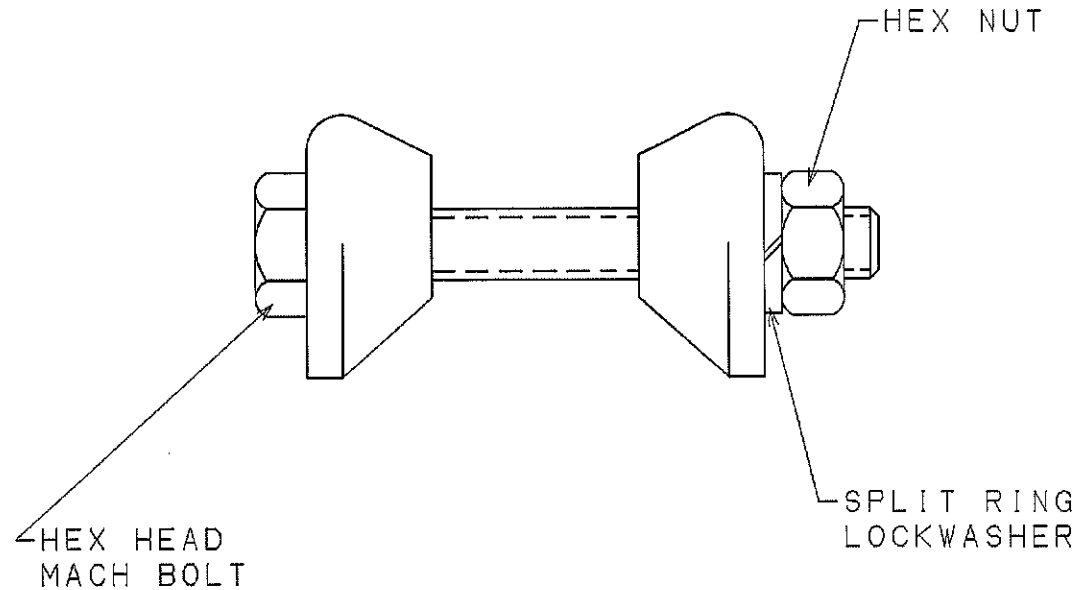
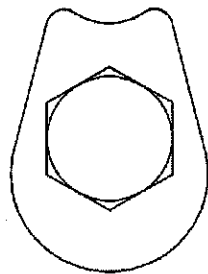






==NOTES==

1. MAT'L: ALUMINUM ALLOY.
2. GALVANIZED STEEL HARDWARE.
3. FITS THIMBLEYE 1/2" DIA. & 5/8" DIA. ROD.
4. FOR EXPANDING ANCHORS AND ROCK ANCHORS.



CATALOG NUMBER
CG5060

LATEST EC NO:		REV.	DATE	CHANGED BY	RESP ENGINEER
EC92102701		-	-----	---	ODOM
				DO NOT SCALE THIS DWG	THIRD ANGLE PROJECTION  E ISO DUAL DIMENSIONING IN=INCH, MM=MILLIM
DRN BY:	DATE	TITLE:			
MARTIN	11-01-92	THIMBLEYE BONDING CLAMP			
				 DWG NO: SAG5060	