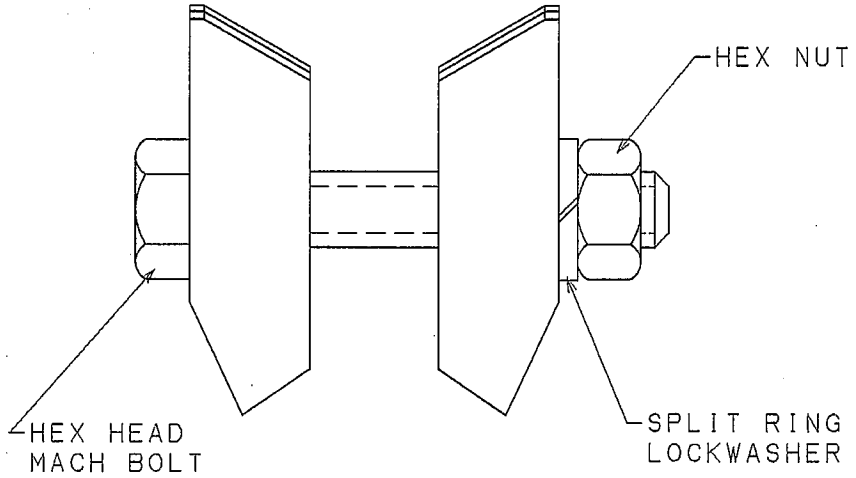
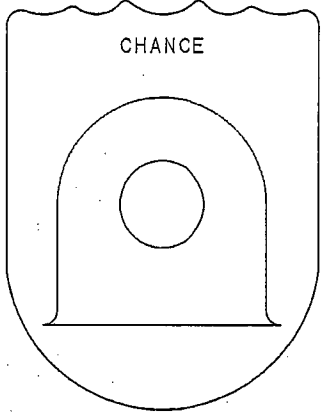
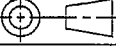




==NOTE==

1. MAT'L: ALUMINUM ALLOY.
2. GALVANIZED STEEL HARDWARE.
3. FITS TRIPLEYE 3/4" DIA. & 1" DIA. ROD.
4. FOR NO WRENCH SCREW ANCHORS.



CATALOG NUMBER
CG5063

| | | | | | |
|---|----------|------------------------|-------|---|--|
| LATEST EC NO: | | REV. | DATE | CHANGED BY | RESP ENGINEER |
| EC92102701 | | - | ----- | --- | ODOM |
| | | | | DO NOT SCALE THIS DWG | THIRD ANGLE PROJECTION  |
| | | | | ISO DUAL DIMENSIONS IN=INCH, MM=MILLIMETER | |
| DRN BY: | DATE | TITLE: | | | SIZE |
| MARTIN | 11-01-92 | TRIPLEYE BONDING CLAMP | | | B |
|  | | CHANCE | |  | DWG NO: SAG5063 |

CONFIDENTIAL: THIS DRAWING AND ITS CONTENTS ARE CONFIDENTIAL AND THE EXCLUSIVE PROPERTY OF HUBBELL / A. B. CHANCE COMPANY. NO PUBLICATION, DISTRIBUTION OR COPIES MAY BE MADE WITHOUT WRITTEN CONSENT BY HUBBELL / A. B. CHANCE COMPANY. © 2000 HUBBELL/A. B. CHANCE. UNPUBLISHED - ALL RIGHTS RESERVED UNDER THE COPYRIGHT LAWS