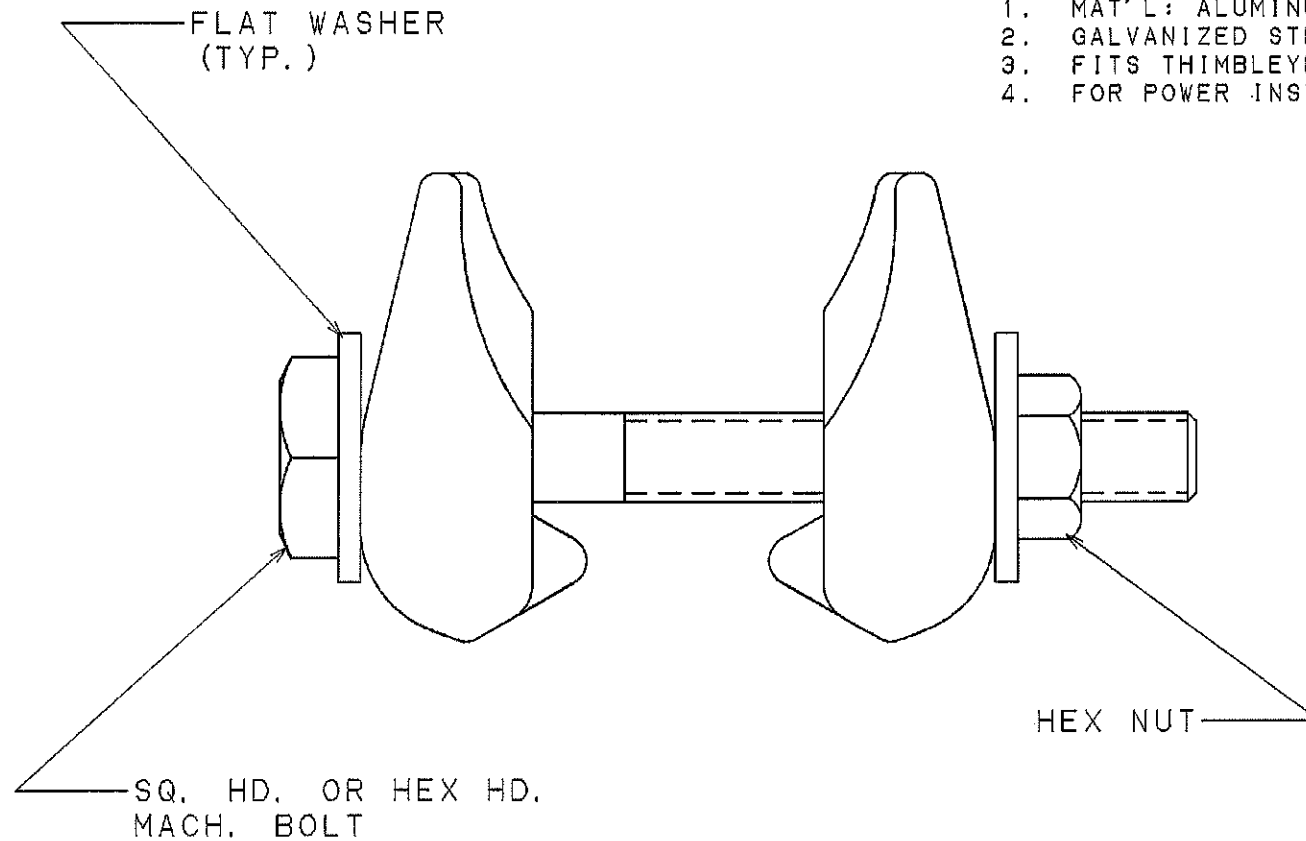
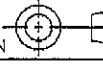




==NOTE==

1. MAT'L: ALUMINUM ALLOY.
2. GALVANIZED STEEL HARDWARE.
3. FITS THIMBLEYE 1/2" DIA. & 5/8" DIA. ROD.
4. FOR POWER INSTALLED SCREW ANCHORS.



CATALOG NUMBER
CG5067

LATEST EC NO:		REV.	DATE	CHANGED BY	RESP ENGINEER
EC92102701		-	-----	---	ODOM
				DO NOT SCALE THIS DWG	THIRD ANGLE PROJECTION 
				ISO DUAL DIMENSIONING IN=INCH, MM=MILLIMETER	
DRN BY:	DATE	TITLE:			
MARTIN	11-04-82	THIMBLEYE BONDING CLAMP			
		CHANCE [®]		CAE CAD CAM  DWG NO: SAG5067	