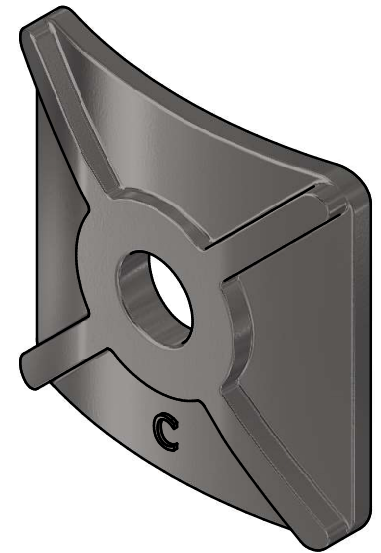
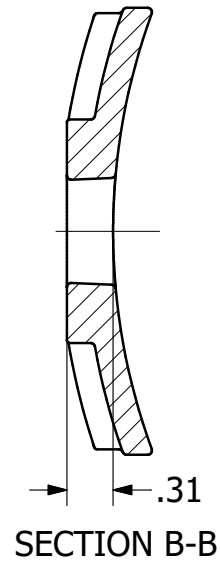
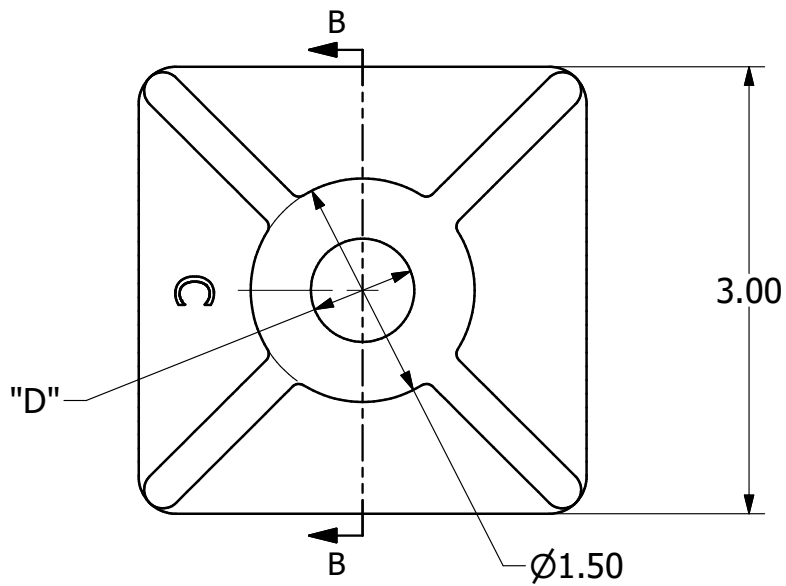



-NOTES-

1. MATERIAL: DUCTILE IRON PER ASTM A536 (LATEST REVISION).
2. FINISH: HOT DIP GALVANIZE PER ASTM A153.



CATALOG NUMBER	DESCRIPTION	"D"
GCW31	CURVED SQUARE WASHER, 5/8"	0.69
GCW31A	CURVED SQUARE WASHER, 3/4"	0.81

<p><b>CHANCE</b>®</p> <p><small>CONFIDENTIAL: THIS DRAWING AND ITS CONTENTS ARE CONFIDENTIAL AND THE EXCLUSIVE PROPERTY OF HUBBELL POWER SYSTEMS. NO PUBLICATION, DISTRIBUTION, OR COPIES MAY BE MADE WITHOUT THE WRITTEN CONSENT OF HUBBELL POWER SYSTEMS, HUBBELL POWER SYSTEMS UNPUBLISHED ALL RIGHTS RESERVED UNDER THE COPYRIGHT LAWS.</small></p>	 <b>HUBBELL POWER SYSTEMS, INC.</b>		
	<b>TITLE</b> <b>CURVED SQUARE WASHER</b>		
<b>SIZE</b> <b>B</b>	<b>CAT / PART / ASSY NO.</b> <b>SEE TABLE</b>	<b>DWG NO.</b> <b>SAGCW31</b>	<b>REV</b> <b>A</b>
<b>DO NOT SCALE THIS DRAWING</b>	<b>DRN BY</b> GWY	<b>DATE</b> 5/11/22	<b>SHEET</b> 1 OF 1