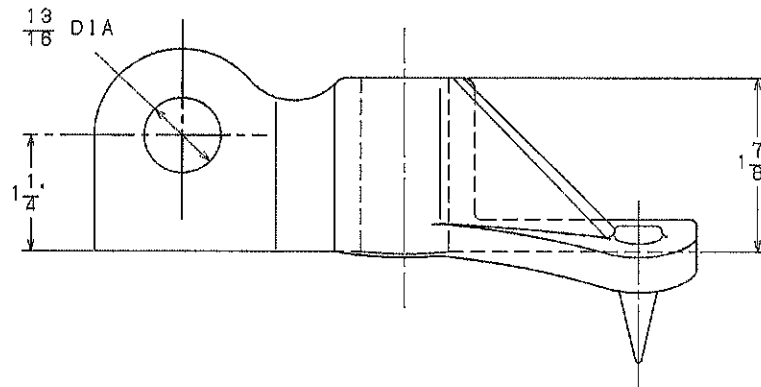
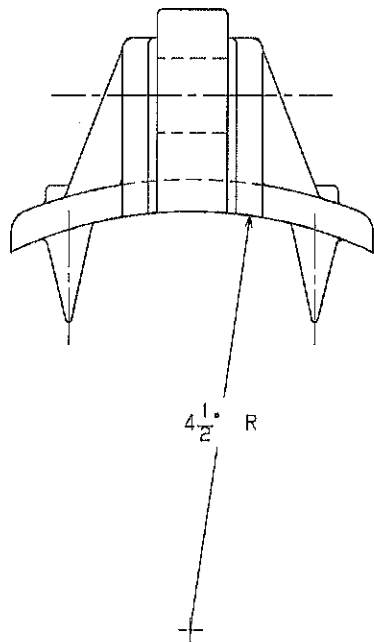
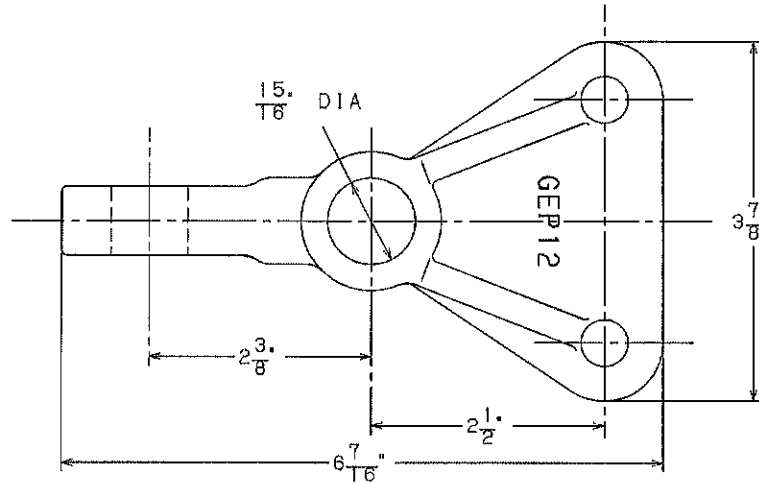
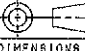





=NOTES=

1. MATERIAL: DUCTILE IRON.
2. FINISH: HOT DIP GALVANIZED PER ASTM A153 (LATEST REVISION).



LATEST EC NO: 92012816		REV. -	DATE -----	CHANGED BY ---	RESP ENGINEER ODOH
DO NOT SCALE THIS DWG				 THIRD ANGLE PROJECTION 1:50 DUAL DIMENSIONS IN=1/4" INCH, MM=MILLIMETER	
DRN BY: SCRIVNER	DATE 01-20-02	TITLE: POLE EYE PLATE			SIZE C
				 DWG NO: SAGEP12	

CONFIDENTIAL: THIS DRAWING AND ITS CONTENTS ARE CONFIDENTIAL AND THE EXCLUSIVE PROPERTY OF HUBBELL A.B. CHANCE COMPANY. NO PUBLICATION, DISTRIBUTION OR REPRODUCTION IS PERMITTED WITHOUT THE WRITTEN CONSENT OF HUBBELL A.B. CHANCE COMPANY. © 2000 HUBBELL/A. B. CHANCE. UNPUBLISHED - ALL RIGHTS RESERVED UNDER THE COPYRIGHT LAWS