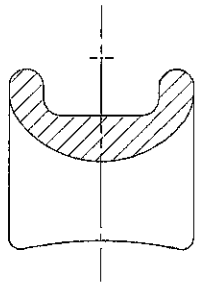
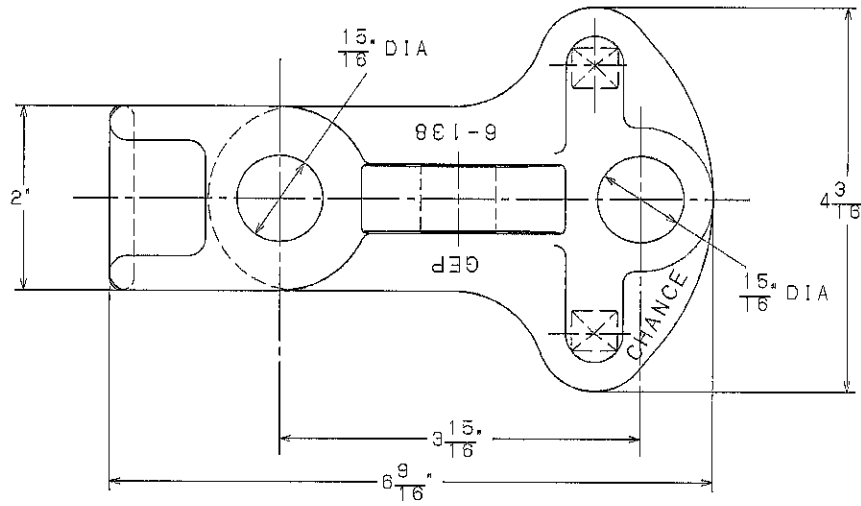
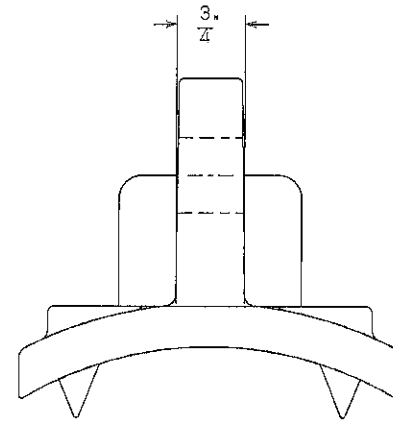
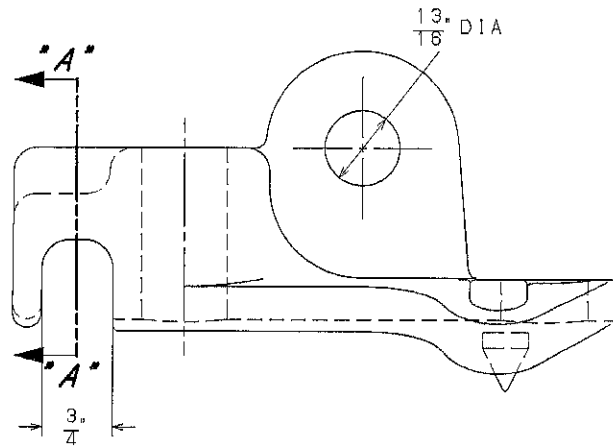


=NOTES=

1. MAT'L: DUCTILE IRON PER ASTM A536.
2. FINISH: HOT DIP GALVANIZE PER ASTM A153



SECTION "A-A"



CATALOG NUMBER
CGEP6138

LATEST EC NO:		REV.	DATE	CHANGED BY	RESP ENGINEER
99072901		-	-----	---	ODOM
DO NOT SCALE THIS DWG THIRD ANGLE PROJECTION ISO OVAL DIMENSIONS (IN-INCH, MM-MILLIMETER)					
					DRN BY: QUALLS DATE: 07-28-93 TITLE: POLE EYE PLATE SIZE: C
				DWG NO: SAGEP6138	

CONFIDENTIAL: THIS DRAWING AND ITS CONTENTS ARE CONFIDENTIAL AND THE EXCLUSIVE PROPERTY OF HUBBELL / A. B. CHANCE COMPANY. NO PUBLICATION, DISTRIBUTION OR REPRODUCTION OF THIS DRAWING OR ITS CONTENTS MAY BE MADE WITHOUT THE WRITTEN CONSENT OF HUBBELL / A. B. CHANCE COMPANY.
 © 2000 HUBBELL/A. B. CHANCE. UNPUBLISHED - ALL RIGHTS RESERVED UNDER THE COPYRIGHT LAWS