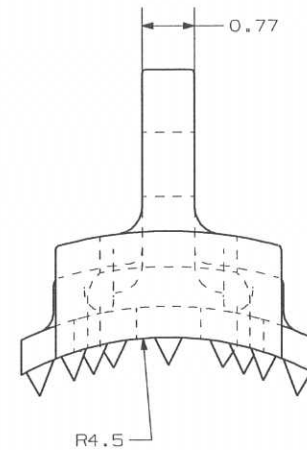
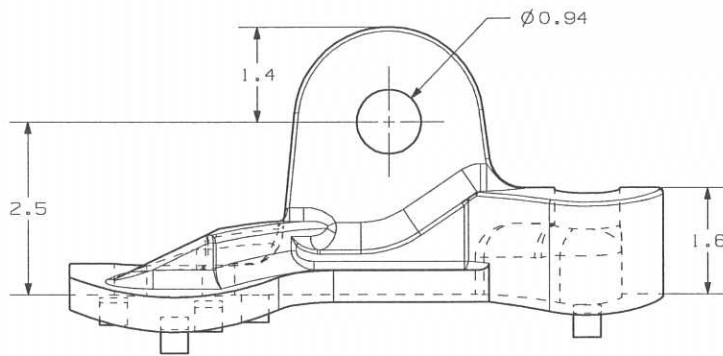


- NOTES -

1. MAT'L: DUCTILE IRON PER ASTM A536.
2. FINISH: HOT DIP GALVANIZE PER ASTM A153.



CATALOG NO. GEP7A

LATEST EC NO:		REV.	DATE	CHANGED BY	RESP ENGINEER
-----		A	-----	-----	-----
				DO NOT SCALE THIS DWG	THIRD ANGLE PROJECTION
				ISO DUAL DIMENSIONS IN-INCH, MM-MILLIMETER	
DRN BY:	DATE	TITLE:			SIZE
WILSON	05/03/12	POLE EYE PLATE			C
		DWG NO:		SAGEP7A	

CONFIDENTIAL: THIS DRAWING AND ITS CONTENTS ARE CONFIDENTIAL AND THE EXCLUSIVE PROPERTY OF HUBBELL / A.B. CHANCE COMPANY. NO PUBLICATION, DISTRIBUTION OR COPIES MAY BE MADE WITHOUT WRITTEN CONSENT BY HUBBELL / A.B. CHANCE COMPANY. © 2001 HUBBELL/A.B. CHANCE. UNPUBLISHED - ALL RIGHTS RESERVED UNDER THE COPYRIGHT LAWS