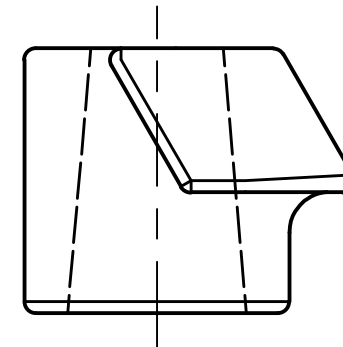
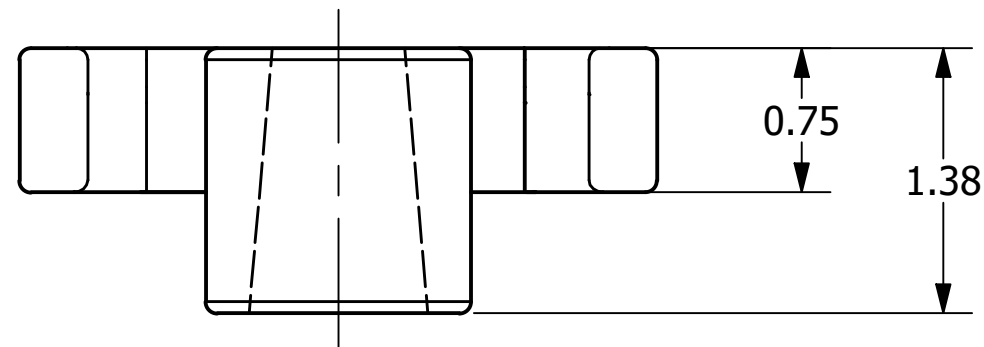


CATALOG NUMBER	MAX THRU BOLT DIAMETER ("A")	MAX GUY STRAND DIAMETER
GH2	5/8	1/2
GH3	3/4	1/2



- NOTES -
1. MATERIAL: DUCTILE IRON.
 2. FINISH: HOT DIP GALVANIZED PER ASTM A153.

CHANCE [®]			
	HUBBELL POWER SYSTEMS, INC.		
CONFIDENTIAL: THIS DRAWING AND ITS CONTENTS ARE CONFIDENTIAL AND THE EXCLUSIVE PROPERTY OF HUBBELL POWER SYSTEMS. NO PUBLICATION, DISTRIBUTION, OR COPIES MAY BE MADE WITHOUT THE WRITTEN CONSENT OF HUBBELL POWER SYSTEMS. HUBBELL POWER SYSTEMS UNPUBLISHED ALL RIGHTS RESERVED UNDER THE COPYRIGHT LAWS.			
TITLE: SPAN GUY HOOKS			
SIZE B	CAT / PART / ASSY NO. SEE TABLE	DWG NO. SAGH2	REV A
DO NOT SCALE THIS DRAWING	DRN BY TOLIVER	DATE 11/24/21	SHEET 1 OF 1