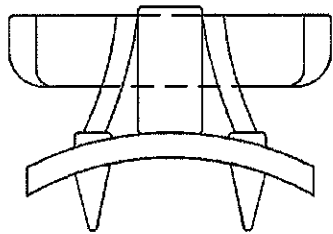
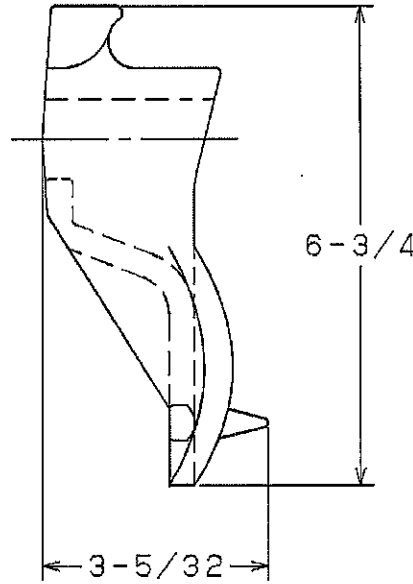
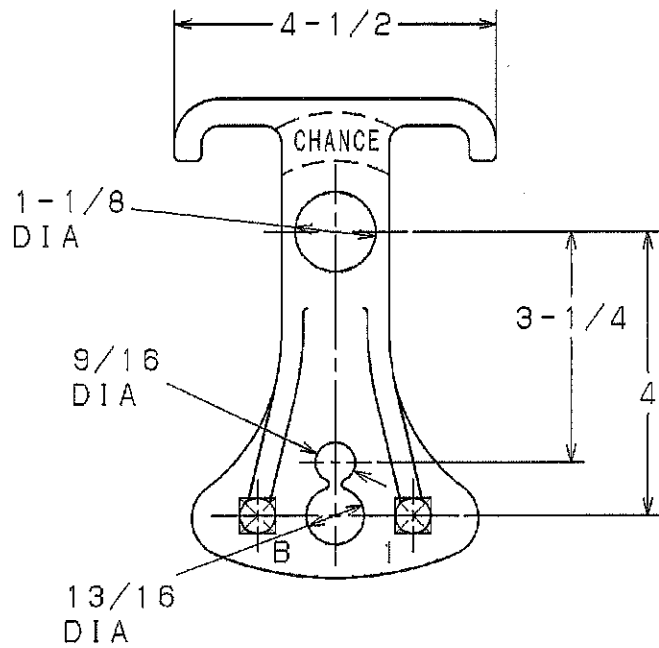
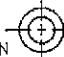



==NOTES==

1. MATERIAL: DUCTILE IRON
PER ASTM A536 (LATEST REVISION).
2. HOT DIP GALV. PER ASTM A153 (LATEST REVISION).



LATEST EC NO:		REV.	DATE	CHANGED BY	RESP ENGINEER
94051802		-	-----	---	ODOM
				DO NOT SCALE THIS DWG	THIRD ANGLE PROJECTION 
				ISO DUAL DIMENSIONING IN=INCH, MM=MILLIMETER	
DRN BY:	DATE	TITLE:			
BRAZEAL	05-20-94	GUY HOOK 1" INTEGRAL LAG			
		CHANCE		DWG NO: SAGH6XBIL	