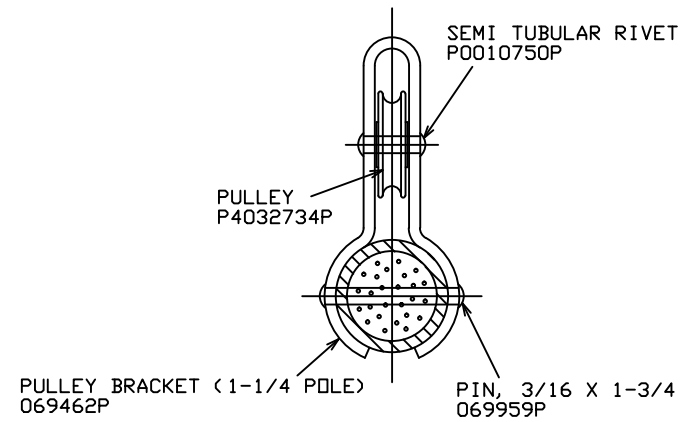



CUTS UP TO 1-1/2" DIA. BRANCHES  
 TESTED PER OSHA & ASTM F711  
 PROVIDED WITH 25 FEET OF ROPE



SECTION "B-B"

CONFIDENTIAL: THIS DRAWING AND ITS CONTENTS ARE CONFIDENTIAL AND THE EXCLUSIVE PROPERTY OF HUBBELL POWER SYSTEMS. NO PUBLICATION, DISTRIBUTION OR COPIES MAY BE MADE WITHOUT THE WRITTEN CONSENT OF HUBBELL POWER SYSTEMS. HUBBELL POWER SYSTEMS UNPUBLISHED. ALL RIGHTS RESERVED UNDER THE COPYRIGHT LAWS.		 <b>HUBBELL® POWER SYSTEMS</b> POWER SYSTEMS, INC.	
		TITLE <b>TREE TRIMMER          UNIVERSAL FITTING</b>	
SIZE <b>C</b>	DWG NO. <b>SAH2106-4</b>	CAT / PART / ASSY NO. <b>H2106-4</b>	REV <b>--</b>
DO NOT SCALE THIS DRAWING	DRN BY RAM	DATE 5/29/14	SHEET 1 OF 1