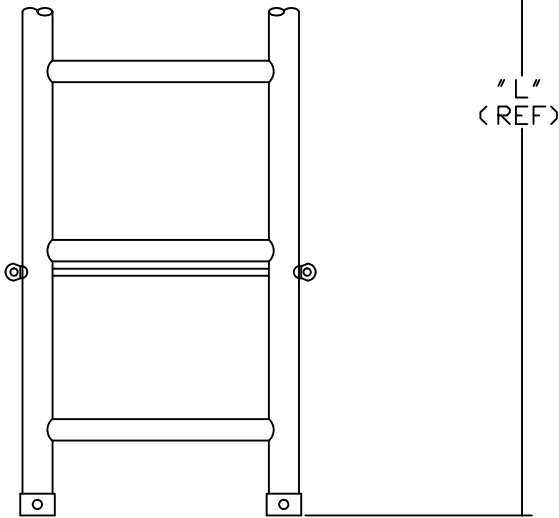
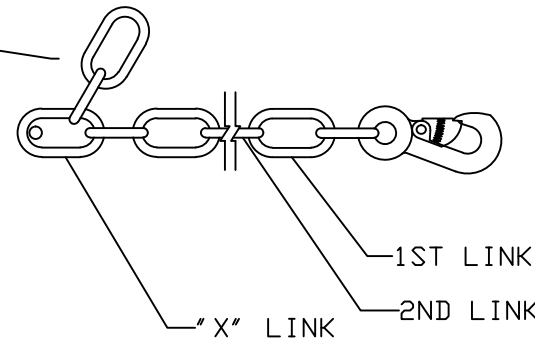


DISTANCE BETWEEN RAILS: 14-1/2"

RUNG DIAMETER: 1-1/4"

SIDE RAIL DIAMETER: 2"



ASS'Y NO.	"L" DIM	DIA	HOOK	"X"
H4904-8	7' -9"	2"	8"	6
H4904-8A	8' -1"	2"	14"	9
H4904-10	9' -9"	2"	8"	6
H4904-10A	10' -1"	2"	14"	9
H4904-10B	10' -3"	2"	18"	12
H4904-12	11' -9"	2"	8"	6
H4904-12A	12' -1"	2"	14"	9
H4904-12B	12' -3"	2"	18"	12
H4904-14	13' -9"	2"	8"	6
H4904-14A	14' -1"	2"	14"	9
H4904-14B	14' -3"	2"	18"	12
H4904-16	15' -9"	2"	8"	6
H4904-16A	16' -1"	2"	14"	9

RATED WORK LOADS:
 8" HOOK: 1250 LBS
 10" HOOK: 1000 LBS
 18" HOOK: 750 LBS

		HUBBELL POWER SYSTEMS		
		REGULAR DUTY HOOK LADDERS		
<small>CONFIDENTIAL: THIS DRAWING AND ITS CONTENTS ARE CONFIDENTIAL AND THE EXCLUSIVE PROPERTY OF HUBBELL POWER SYSTEMS. NO PUBLICATION, DISTRIBUTION OR COPIES MAY BE MADE WITHOUT THE WRITTEN CONSENT OF HUBBELL POWER SYSTEMS. ALL RIGHTS RESERVED UNDER THE COPYRIGHT LAWS.</small>		<small>SIZE</small> DWG NO. C SAH4904	<small>CAT / PART / ASSY NO.</small> SEE CHART	<small>REV</small> --
<small>DO NOT SCALE THIS DRAWING</small>		<small>DRN BY</small> RAM	<small>DATE</small> 5/30/14	<small>SHEET</small> 1 OF 1